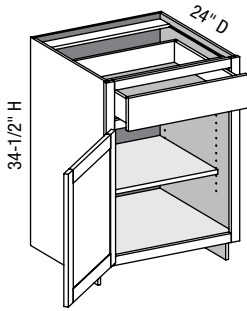


### B/CSB - Base



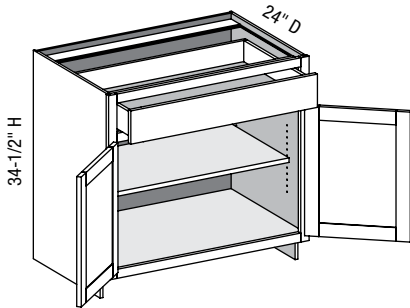
Custom Size Ranges  
 Width: 9"– 24"  
 Height: 31-1/2"– 42"  
 Depth: 12", 15", 18", 21",  
 24", 27", 30"

D	DF	DB	EXT	EXP	FL	WS	MI	FT
1	1	1	✓	✓	✓	✓	✓	✓

- When height changes, lower opening height changes. Drawer opening height fixed at 5".
- Specify single or butt doors on cabinets 24" wide.
- 12", 15", 27" and 30" cabinet depths are available with TANDEM slides only.

Cabinet Code	Advantage				Essence	Doors			Drawer Fronts		
	Price	Exposed End (ea.)	Flush End (ea.)	Shelf	Price	Inset	1/2"	1-1/4"	Inset	1/2"	1-1/4"
B1234.5						1.3	1.5	1.9	0.3	0.4	0.5
B1534.5						1.7	2.0	2.3	0.4	0.5	0.6
B1834.5						2.1	2.4	2.8	0.5	0.7	0.8
B2134.5						2.6	2.9	3.3	0.6	0.8	0.9
B2434.5						3.0	3.4	3.8	0.7	0.9	1.0

### B/CSB - Base w/Butt Doors



Custom Size Ranges  
 Width: 24"– 36"  
 Height: 31-1/2"– 42"  
 Depth: 12", 15", 18", 21",  
 24", 27", 30"

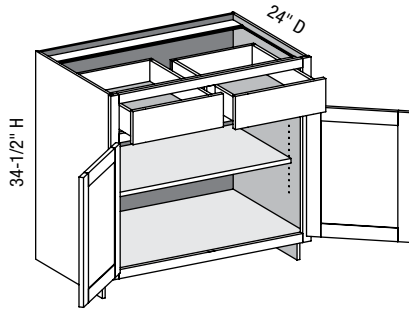
D	DF	DB	EXT	EXP	FL	WS	MI	FT
2	1	1	✓	✓	✓	✓	✓	✓

- When height changes, lower opening height changes. Drawer opening height fixed at 5".
- Specify single or butt doors on cabinets 24" wide.
- 12", 15", 27" and 30" cabinet depths are available with TANDEM slides only.

Cabinet Code	Advantage				Essence	Doors			Drawer Fronts		
	Price	Exposed End (ea.)	Flush End (ea.)	Shelf	Price	Inset	1/2"	1-1/4"	Inset	1/2"	1-1/4"
B2434.5BD						3.0	3.3	3.8	0.7	0.9	1.0
B2734.5BD						3.4	3.8	4.3	0.8	1.0	1.2
B3034.5BD						3.8	4.3	4.7	0.9	1.2	1.3
B3334.5BD						4.3	4.7	5.2	1.0	1.3	1.4
B3634.5BD						4.7	5.2	5.7	1.1	1.4	1.5

**Options Key:** D=Number of Doors DF=Number of Drawer Fronts DB=Drawer Boxes EXT=Extended Stiles EXP=Exposed End(s)  
 FL=Flush End(s) WS=Solid Wood Shelves MI=Matching Interior FT=Flush Toe

### B/CSBBD2D - Base Butt Door Two Drawer



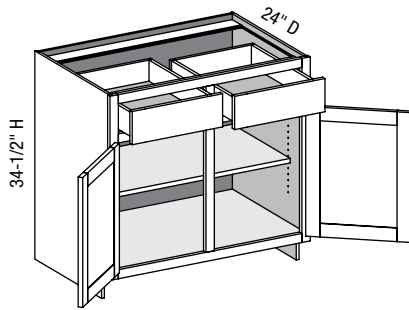
Custom Size Ranges  
 Width: 30"– 36"  
 Height: 31-1/2"– 42"  
 Depth: 12", 15", 18", 21",  
 24", 27", 30"

D	DF	DB	EXT	EXP	FL	WS	MI	FT
2	2	2	✓	✓	✓	✓	✓	✓

- When height changes, lower opening height changes. Drawer opening height fixed at 5".
- 12", 15", 27" and 30" cabinet depths are available with TANDEM slides only.

Cabinet Code	Advantage				Essence	Doors			Drawer Fronts		
	Price	Exposed End (ea.)	Flush End (ea.)	Shelf	Price	Inset	1/2"	1-1/4"	Inset	1/2"	1-1/4"
B3034.5BD2D						3.8	4.3	4.7	0.8	1.1	1.3
B3334.5BD2D						4.3	4.7	5.2	0.9	1.3	1.4
B3634.5BD2D						4.7	5.2	5.7	1.0	1.4	1.5

### B/CSB2D2D - Base Two Door Two Drawer



Custom Size Ranges  
 Width: 30"– 48"  
 Height: 31-1/2"– 42"  
 Depth: 12", 15", 18", 21",  
 24", 27", 30"

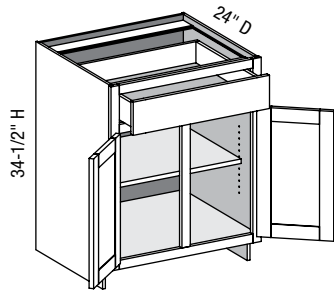
D	DF	DB	EXT	EXP	FL	WS	MI	FT
2	2	2	✓	✓	✓	✓	✓	✓

- When height changes, lower opening height changes. Drawer opening height fixed at 5".
- 12", 15", 27" and 30" cabinet depths are available with TANDEM slides only.

Cabinet Code	Advantage				Essence	Doors			Drawer Fronts		
	Price	Exposed End (ea.)	Flush End (ea.)	Shelf	Price	Inset	1/2"	1-1/4"	Inset	1/2"	1-1/4"
B3034.5						3.6	4.2	4.7	0.8	1.1	1.3
B3334.5						4.1	4.7	5.2	0.9	1.3	1.4
B3634.5						4.5	5.1	5.7	1.0	1.4	1.5
B3934.5						4.9	5.6	6.1	1.1	1.5	1.6
B4234.5						5.4	6.0	6.6	1.2	1.6	1.8
B4534.5						5.8	6.5	7.1	1.3	1.8	1.9
B4834.5						6.2	7.0	7.6	1.4	1.9	2.0

Options Key: D=Number of Doors DF=Number of Drawer Fronts DB=Drawer Boxes EXT=Extended Stiles EXP=Exposed End(s)  
 FL=Flush End(s) WS=Solid Wood Shelves MI=Matching Interior FT=Flush Toe

**B/CSB2D1D - Base Two Door One Drawer**



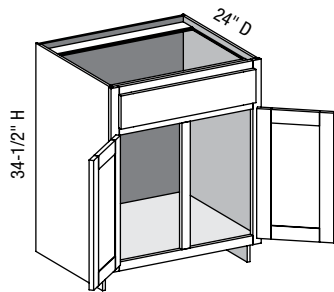
Custom Size Ranges  
Width: 27"– 36"  
Height: 31-1/2"– 42"  
Depth: 12", 15", 18", 21",  
24", 27", 30"

D	DF	DB	EXT	EXP	FL	WS	MI	FT
2	1	1	✓	✓	✓	✓	✓	✓

- When height changes, lower opening height changes. Drawer opening height fixed at 5".
- 12", 15", 27" and 30" cabinet depths are available with TANDEM slides only.

Cabinet Code	Advantage				Essence	Doors			Drawer Fronts		
	Price	Exposed End (ea.)	Flush End (ea.)	Shelf	Price	Inset	1/2"	1-1/4"	Inset	1/2"	1-1/4"
B2734.5						3.2	3.7	4.2	0.8	1.0	1.2

**BS/CSBS2D1D - Base Sink Two Door One Drawer**



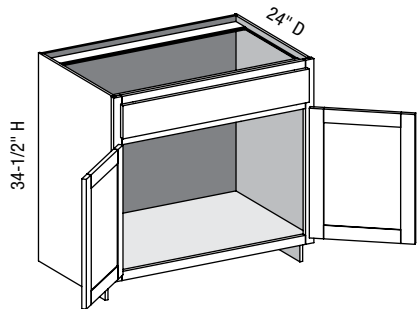
Custom Size Ranges  
Width: 27"– 36"  
Height: 31-1/2"– 42"  
Depth: 18"– 30"

D	DF	DB	EXT	EXP	FL	WS	MI	FT
2	1		✓	✓	✓		✓	✓

- False drawer.
- No drawer boxes, shelf support holes or shelf with sink units.
- When height changes, lower opening height changes. Drawer opening height fixed at 5".

Cabinet Code	Advantage				Essence	Doors			Drawer Fronts		
	Price	Exposed End (ea.)	Flush End (ea.)	Shelf	Price	Inset	1/2"	1-1/4"	Inset	1/2"	1-1/4"
BS2734.5				—		3.2	3.7	4.2	0.8	1.0	1.2

**BS/CSBS - Base Sink w/Butt Doors**



Custom Size Ranges  
Width: 24"– 36"  
Height: 31-1/2"– 42"  
Depth: 12", 15", 18", 21",  
24", 27", 30"

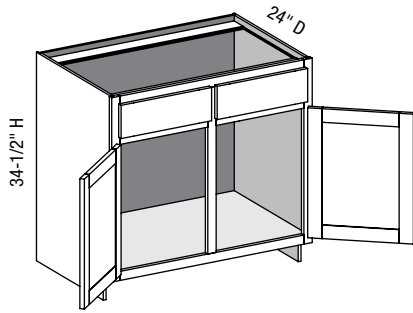
D	DF	DB	EXT	EXP	FL	WS	MI	FT
2	1		✓	✓	✓		✓	✓

- False drawer.
- No drawer boxes, shelf support holes or shelf with sink units.
- When height changes, lower opening height changes. Drawer opening height fixed at 5".
- Specify single or butt doors on cabinets 24" wide.

Cabinet Code	Advantage				Essence	Doors			Drawer Fronts		
	Price	Exposed End (ea.)	Flush End (ea.)	Shelf	Price	Inset	1/2"	1-1/4"	Inset	1/2"	1-1/4"
BS2434.5BD				—		3.0	3.3	3.8	0.7	0.9	1.0
BS2734.5BD				—		3.4	3.8	4.3	0.8	1.0	1.2
BS3034.5BD				—		3.8	4.3	4.7	0.9	1.2	1.3
BS3334.5BD				—		4.3	4.7	5.2	1.0	1.3	1.4
BS3634.5BD				—		4.7	5.2	5.7	1.1	1.4	1.5

**Options Key:** D=Number of Doors DF=Number of Drawer Fronts DB=Drawer Boxes EXT=Extended Stiles EXP=Exposed End(s)  
FL=Flush End(s) WS=Solid Wood Shelves MI=Matching Interior FT=Flush Toe

### BS/CSBS2D2D - Base Sink Two Door Two Drawer



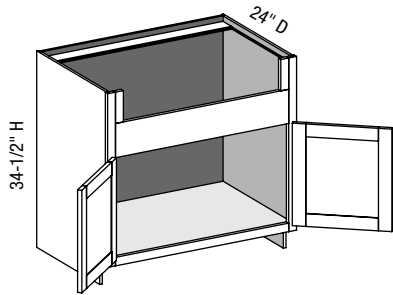
Custom Size Ranges  
 Width: 30" – 48"  
 Height: 31-1/2" – 42"  
 Depth: 18" – 30"

D	DF	DB	EXT	EXP	FL	WS	MI	FT
2	2		✓	✓	✓		✓	✓

- Two false drawers.
- No drawer boxes, shelf support holes or shelf with sink units.
- When height changes, lower opening height changes. Drawer opening height fixed at 5".
- Specify single or butt doors on cabinets 24" wide.

Cabinet Code	Advantage				Essence	Doors			Drawer Fronts		
	Price	Exposed End (ea.)	Flush End (ea.)	Shelf	Price	Inset	1/2"	1-1/4"	Inset	1/2"	1-1/4"
BS3034.5				—		3.6	4.2	4.7	0.8	1.1	1.3
BS3334.5				—		4.1	4.7	5.2	0.9	1.3	1.4
BS3634.5				—		4.5	5.1	5.7	1.0	1.4	1.5
BS3934.5				—		4.9	5.6	6.1	1.1	1.5	1.6
BS4234.5				—		5.4	6.0	6.6	1.2	1.6	1.8
BS4534.5				—		5.8	6.5	7.1	1.3	1.8	1.9
BS4834.5				—		6.2	7.0	7.6	1.4	1.9	2.0

### ASB/CSASB - Apron Sink Base w/Butt Doors



Custom Size Ranges  
 Width: 24" – 36"  
 Height: 31-1/2" – 42"  
 Depth: 18" – 30"

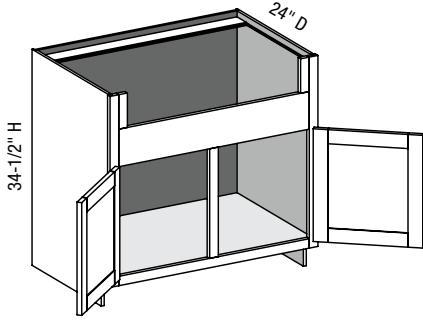
D	DF	DB	EXT	EXP	FL	WS	MI	FT
2			✓	✓	✓		✓	✓

- Sink bowl opening is 5-1/2" high, width is 6" less than cabinet width.
- Sink opening is trimmable to 4-1/2" in height and 3" in width.
- 6" middle rail.
- No shelf with sink units.
- When height changes, lower opening height changes.
- No shelf support holes.

Cabinet Code	Advantage				Essence	Doors			Drawer Fronts		
	Price	Exposed End (ea.)	Flush End (ea.)	Shelf	Price	Inset	1/2"	1-1/4"	Inset	1/2"	1-1/4"
ASB2434.5BD				—		2.5	2.8	3.3	—	—	—
ASB2734.5BD				—		2.8	3.2	3.7	—	—	—
ASB3034.5BD				—		3.2	3.6	4.1	—	—	—
ASB3334.5BD				—		3.6	4.0	4.6	—	—	—
ASB3634.5BD				—		3.9	4.4	5.0	—	—	—

**Options Key:** D=Number of Doors DF=Number of Drawer Fronts DB=Drawer Boxes EXT=Extended Stiles EXP=Exposed End(s)  
 FL=Flush End(s) WS=Solid Wood Shelves MI=Matching Interior FT=Flush Toe

### ASB/CSASBCS - Apron Sink Base w/Center Stile



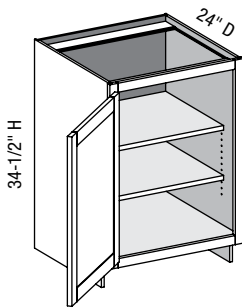
Custom Size Ranges  
 Width: 27"– 48"  
 Height: 31-1/2"– 42"  
 Depth: 18"– 30"

D	DF	DB	EXT	EXP	FL	WS	MI	FT
2			✓	✓	✓		✓	✓

- Sink bowl opening is 5-1/2" high, width is 6" less than cabinet width.
- Sink opening is trimmable to 4-1/2" in height and 3" in width.
- 6" middle rail.
- No shelf with sink units.
- When height changes, lower opening height changes.
- No shelf support holes.

Cabinet Code	Advantage				Essence	Doors			Drawer Fronts		
	Price	Exposed End (ea.)	Flush End (ea.)	Shelf	Price	Inset	1/2"	1-1/4"	Inset	1/2"	1-1/4"
ASB2734.5				—		2.7	3.1	3.7	—	—	—
ASB3034.5				—		3.0	3.5	4.1	—	—	—
ASB3334.5				—		3.4	3.9	4.5	—	—	—
ASB3634.5				—		3.7	4.3	4.9	—	—	—
ASB3934.5				—		4.1	4.7	5.3	—	—	—
ASB4234.5				—		4.5	5.1	5.8	—	—	—
ASB4534.5				—		4.8	5.5	6.2	—	—	—
ASB4834.5				—		5.2	5.8	6.6	—	—	—

### BFD/CSBFD - Base Full Door



Custom Size Ranges  
 Width: 9"– 24"  
 Height: 10"– 48"  
 Depth: 5-1/2"– 30"

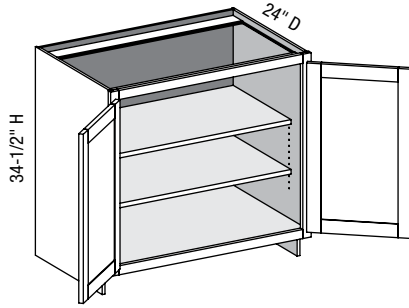
D	DF	DB	EXT	EXP	FL	WS	MI	FT
1			✓	✓	✓	✓	✓	✓

- 10"– 22" high has no shelves.
- 22-1/16"– 28" high has 1 shelf.
- 28-1/16"– 40" high has 2 shelves.
- 40-1/16"– 48" high has 3 shelves.
- Specify single or butt doors on cabinets 24" wide.
- BFD0934.5 does not get shelves.

Cabinet Code	Advantage				Essence	Doors			Drawer Fronts		
	Price	Exposed End (ea.)	Flush End (ea.)	Shelf	Price	Inset	1/2"	1-1/4"	Inset	1/2"	1-1/4"
BFD0934.5				—		1.1	1.4	1.8	—	—	—
BFD1234.5				—		1.7	2.0	2.4	—	—	—
BFD1534.5				—		2.2	2.6	3.0	—	—	—
BFD1834.5				—		2.8	3.2	3.6	—	—	—
BFD2134.5				—		3.4	3.8	4.3	—	—	—
BFD2434.5				—		3.9	4.4	4.9	—	—	—

**Options Key:** D=Number of Doors DF=Number of Drawer Fronts DB=Drawer Boxes EXT=Extended Stiles EXP=Exposed End(s)  
 FL=Flush End(s) WS=Solid Wood Shelves MI=Matching Interior FT=Flush Toe

### BFD/CSBFD - Base Full Door w/Butt Doors



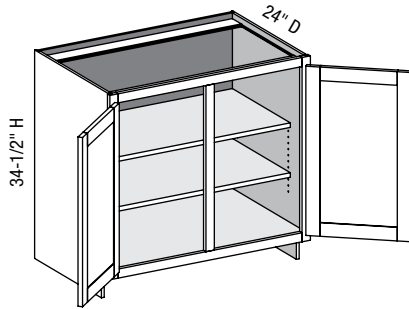
Custom Size Ranges  
 Width: 24"– 36"  
 Height: 10"– 48"  
 Depth: 5-1/2"– 30"

D	DF	DB	EXT	EXP	FL	WS	MI	FT
2			✓	✓	✓	✓	✓	✓

- 10"– 22" high has no shelves.
- 22-1/16"– 28" high has 1 shelf.
- 28-1/16"– 40" high has 2 shelves.
- 40-1/16"– 48" high has 3 shelves.
- Specify single or butt doors on cabinets 24" wide.

Cabinet Code	Advantage				Essence	Doors			Drawer Fronts		
	Price	Exposed End (ea.)	Flush End (ea.)	Shelf	Price	Inset	1/2"	1-1/4"	Inset	1/2"	1-1/4"
BFD2434.5BD						3.9	4.3	4.9	—	—	—
BFD2734.5BD						4.5	4.9	5.5	—	—	—
BFD3034.5BD						5.0	5.5	6.1	—	—	—
BFD3334.5BD						5.6	6.1	6.7	—	—	—
BFD3634.5BD						6.2	6.7	7.4	—	—	—

### BFD/CSBFD/CS - Base Full Door w/Center Stile



Custom Size Ranges  
 Width: 27"– 48"  
 Height: 10"– 48"  
 Depth: 5-1/2"– 30"

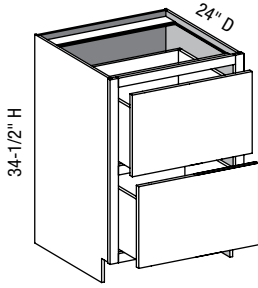
D	DF	DB	EXT	EXP	FL	WS	MI	FT
2			✓	✓	✓	✓	✓	✓

- 10"– 22" high has no shelves.
- 22-1/16"– 28" high has 1 shelf.
- 28-1/16"– 40" high has 2 shelves.
- 40-1/16"– 48" high has 3 shelves.

Cabinet Code	Advantage				Essence	Doors			Drawer Fronts		
	Price	Exposed End (ea.)	Flush End (ea.)	Shelf	Price	Inset	1/2"	1-1/4"	Inset	1/2"	1-1/4"
BFD2734.5						4.2	4.8	5.4	—	—	—
BFD3034.5						4.8	5.4	6.0	—	—	—
BFD3334.5						5.3	6.0	6.7	—	—	—
BFD3634.5						5.9	6.6	7.3	—	—	—
BFD3934.5						6.5	7.2	7.9	—	—	—
BFD4234.5						7.0	7.8	8.5	—	—	—
BFD4534.5						7.6	8.4	9.2	—	—	—
BFD4834.5						8.2	9.0	9.8	—	—	—

**Options Key:** D=Number of Doors DF=Number of Drawer Fronts DB=Drawer Boxes EXT=Extended Stiles EXP=Exposed End(s)  
 FL=Flush End(s) WS=Solid Wood Shelves MI=Matching Interior FT=Flush Toe

### B2D/CSB2D - Base Two Drawer



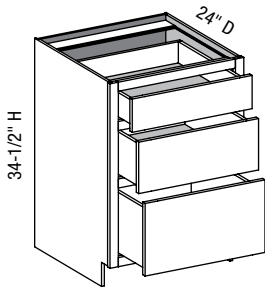
Custom Size Ranges  
 Width: 12" – 39"  
 Height: 31-1/2" – 34-1/2"  
 Depth: 12", 15", 18", 21",  
 24", 27", 30"

D	DF	DB	EXT	EXP	FL	WS	MI	FT
	2	2	✓	✓	✓		✓	✓

- When height changes, both drawer heights are equal.
- 12", 15", 27" and 30" cabinet depths are available with TANDEM slides only.
- No shelf support holes.

Cabinet Code	Advantage				Essence	Doors			Drawer Fronts		
	Price	Exposed End (ea.)	Flush End (ea.)	Shelf	Price	Inset	1/2"	1-1/4"	Inset	1/2"	1-1/4"
B2D1234.5				—		—	—	—	2.0	1.9	2.4
B2D1534.5				—		—	—	—	2.1	2.5	3.0
B2D1834.5				—		—	—	—	2.6	3.1	3.6
B2D2134.5				—		—	—	—	3.2	3.7	4.2
B2D2434.5				—		—	—	—	3.7	4.3	4.8
B2D2734.5				—		—	—	—	4.2	4.9	5.4
B2D3034.5				—		—	—	—	4.8	5.4	6.0
B2D3334.5				—		—	—	—	5.3	6.0	6.7
B2D3634.5				—		—	—	—	5.8	6.6	7.3
B2D3934.5				—		—	—	—	6.4	7.2	7.9

### B3D/CSB3D - Base Three Drawer



Custom Size Ranges  
 Width: 9" – 39"  
 Height: 31-1/2" – 34-1/2"  
 Depth: 12", 15", 18", 21",  
 24", 27", 30"

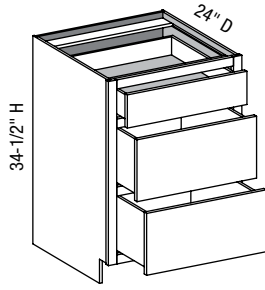
D	DF	DB	EXT	EXP	FL	WS	MI	FT
	3	3	✓	✓	✓		✓	✓

- When height changes, lower opening heights change. Upper and middle opening heights fixed at 5" and 8".
- 12", 15", 27" and 30" cabinet depths are available with TANDEM slides only.
- No shelf support holes.

Cabinet Code	Advantage				Essence	Doors			Drawer Fronts		
	Price	Exposed End (ea.)	Flush End (ea.)	Shelf	Price	Inset	1/2"	1-1/4"	Inset	1/2"	1-1/4"
B3D1234.5				—		—	—	—	1.5	1.9	2.3
B3D1534.5				—		—	—	—	2.0	2.5	2.9
B3D1834.5				—		—	—	—	2.5	3.1	3.5
B3D2134.5				—		—	—	—	3.0	3.6	4.1
B3D2434.5				—		—	—	—	3.5	4.2	4.7
B3D2734.5				—		—	—	—	4.0	4.8	5.3
B3D3034.5				—		—	—	—	4.5	5.3	5.9
B3D3334.5				—		—	—	—	5.0	5.9	6.5
B3D3634.5				—		—	—	—	5.5	6.5	7.1
B3D3934.5				—		—	—	—	6.0	7.1	7.8

**Options Key:** D=Number of Doors DF=Number of Drawer Fronts DB=Drawer Boxes EXT=Extended Stiles EXP=Exposed End(s)  
 FL=Flush End(s) WS=Solid Wood Shelves MI=Matching Interior FT=Flush Toe

### B3DEH/CSB3DEH - Base Three Drawer w/Two Equal Height Lower Drawers



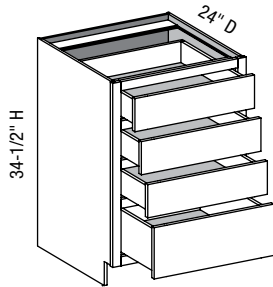
Custom Size Ranges  
 Width: 12"– 39"  
 Height: 31-1/2"– 34-1/2"  
 Depth: 12", 15", 18",  
 21", 24", 27", 30"

D	DF	DB	EXT	EXP	FL	WS	MI	FT
	3	3	✓	✓	✓	✓		✓

- When height changes, both lower opening heights change. Upper opening height fixed at 5".
- 12", 15", 27" and 30" cabinet depths are available with TANDEM slides only.
- No shelf support holes.

Cabinet Code	Advantage				Essence	Doors			Drawer Fronts		
	Price	Exposed End (ea.)	Flush End (ea.)	Shelf	Price	Inset	1/2"	1-1/4"	Inset	1/2"	1-1/4"
B3DEH1234.5				—		—	—	—	1.5	1.9	2.3
B3DEH1534.5				—		—	—	—	2.0	2.5	2.9
B3DEH1834.5				—		—	—	—	2.5	3.1	3.5
B3DEH2134.5				—		—	—	—	3.0	3.6	4.1
B3DEH2434.5				—		—	—	—	3.5	4.2	4.7
B3DEH2734.5				—		—	—	—	4.0	4.8	5.3
B3DEH3034.5				—		—	—	—	4.5	5.3	5.9
B3DEH3334.5				—		—	—	—	5.0	5.9	6.5
B3DEH3634.5				—		—	—	—	5.5	6.5	7.1
B3DEH3934.5				—		—	—	—	6.0	7.1	7.8

### B4D/CSB4D - Base Four Drawer



Custom Size Ranges  
 Width: 9"– 39"  
 Height: 31-1/2"– 34-1/2"  
 Depth: 12", 15", 18", 21",  
 24", 27", 30"

D	DF	DB	EXT	EXP	FL	WS	MI	FT
	4	4	✓	✓	✓		✓	✓

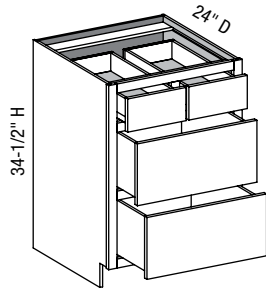
- When height changes, lower opening height changes. Upper opening heights fixed at 5".
- 12", 15", 27" and 30" cabinet depths are available with TANDEM slides only.
- No shelf support holes.

Cabinet Code	Advantage				Essence	Doors			Drawer Fronts		
	Price	Exposed End (ea.)	Flush End (ea.)	Shelf	Price	Inset	1/2"	1-1/4"	Inset	1/2"	1-1/4"
B4D1234.5				—		—	—	—	1.4	1.9	2.3
B4D1534.5				—		—	—	—	1.8	2.4	2.9
B4D1834.5				—		—	—	—	2.3	3.0	3.5
B4D2134.5				—		—	—	—	2.8	3.6	4.1
B4D2434.5				—		—	—	—	3.2	4.1	4.7
B4D2734.5				—		—	—	—	3.7	4.7	5.2

Options Key: D=Number of Doors DF=Number of Drawer Fronts DB=Drawer Boxes EXT=Extended Stiles EXP=Exposed End(s)  
 FL=Flush End(s) WS=Solid Wood Shelves MI=Matching Interior FT=Flush Toe



### B4D2S2EH/CSB4D2S2EH - Base Four Drawer w/Two Side by Side Equal Height Lower Drawers



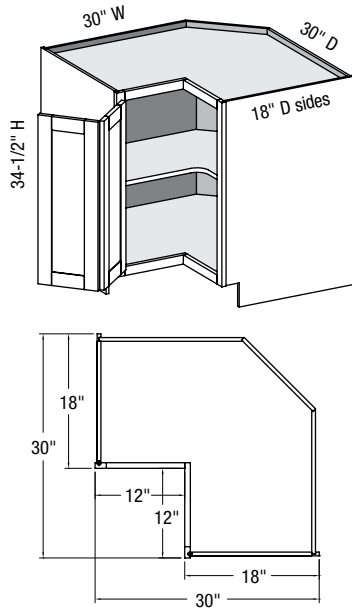
Custom Size Ranges  
 Width: 30"– 39"  
 Height: 31-1/2"– 34-1/2"  
 Depth: 12", 15", 18",  
 21", 24", 27", 30"

D	DF	DB	EXT	EXP	FL	WS	MI	FT
	4	4	✓	✓	✓	✓		✓

- When height changes, both lower opening heights change. Upper opening height fixed at 5".
- 12", 15", 27" and 30" cabinet depths are available with TANDEM slides only.
- No shelf support holes.

Cabinet Code	Advantage				Essence	Doors			Drawer Fronts		
	Price	Exposed End (ea.)	Flush End (ea.)	Shelf	Price	Inset	1/2"	1-1/4"	Inset	1/2"	1-1/4"
B4D2S2EH3034.5				—		—	—	—	4.5	5.3	6.1
B4D2S2EH3334.5				—		—	—	—	5.1	5.8	6.7
B4D2S2EH3634.5				—		—	—	—	5.6	6.4	7.3
B4D2S2EH3934.5				—		—	—	—	6.1	7.0	7.7

### BLS/CSBLS30 - Base Lazy Susan 30"



Custom Size Ranges  
 Width: 30"  
 Height: 31-1/2"– 42"  
 Depth: 30"

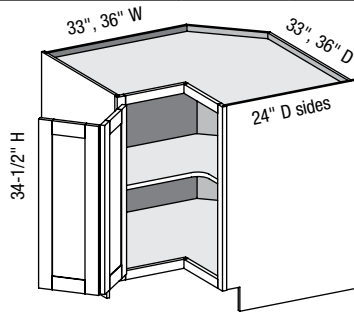
D	DF	DB	EXT	EXP	FL	WS	MI	FT
2			✓	✓	✓		✓	✓

- Cabinet size is 30"W x 30"D, but wall space required is 36"W x 36"D when used adjacent to 24" deep cabinets.
- When Blum hinges are ordered in 1-1/4" and 1-3/8" overlay applications, cabinets will have their doors sized as 1/2" overlay in width only.
- Shelf standard.
- Minimum entry opening width required is 30" (doorways, hallways, etc.).
- Optional 24" dia. plastic kidney shaped susan available.
- Optional Soss hinges available (2100061A).

Susan Option Upgrade		
Cab. Code	Advantage	Essence
BLS3034.5		

Cabinet Code	Advantage				Essence	Doors			Drawer Fronts		
	Price	Exposed End (ea.)	Flush End (ea.)	Shelf	Price	Inset	1/2"	1-1/4"	Inset	1/2"	1-1/4"
BLS3034.5				—		3.9	4.0	4.6	—	—	—

### BLS/CSBLS - Base Lazy Susan



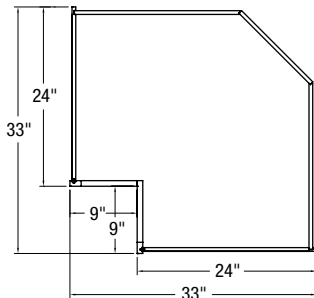
Custom Size Ranges  
 Width: 33"– 42"  
 Height: 31-1/2"– 42"  
 Depth: 33"– 42"

D	DF	DB	EXT	EXP	FL	WS	MI	FT
2			✓	✓	✓		✓	✓

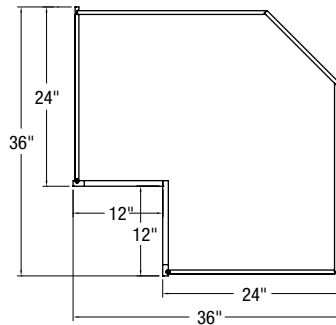
- When Blum hinges are ordered in 1-1/4" and 1-3/8" overlay applications, cabinets will have their doors sized as 1/2" overlay in width only.
- Plywood shelf standard; wood shelf upgrade available on BLS3634.5 only.
- Minimum entry opening width required for BLS3634.5 is 35" (doorways, hallways, etc.).
- Optional 24" dia. plastic kidney shaped susan available with stock sizes only.
- 36" uses a 32" susan, 33" uses a 24" susan.
- Optional Soss hinges available (2100061A).
- CSBLS available with custom size legs. Specify width (left dimension) and depth (right dimension). Side depth remains fixed; front frame pie cut opening adjusts as size changes.

Susan Option Upgrade		
Cab. Code	Advantage	Essence
BLS3334.5		
BLS3634.5		

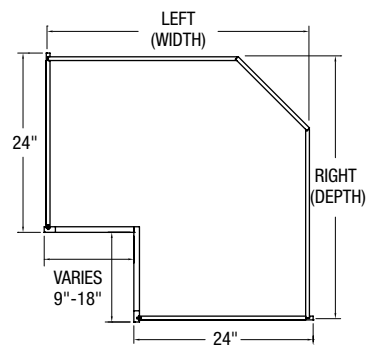
**BLS3334.5**



**BLS3634.5**

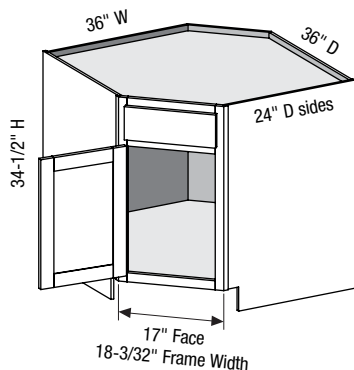


**Custom**



Cabinet Code	Advantage				Essence	Doors			Drawer Fronts		
	Price	Exposed End (ea.)	Flush End (ea.)	Shelf	Price	Inset	1/2"	1-1/4"	Inset	1/2"	1-1/4"
BLS3334.5				—		2.7	2.8	3.3	—	—	—
BLS3634.5						3.9	4.0	4.6	—	—	—

### BSC/CSBSC - Base Sink Corner



Custom Size Ranges  
 Width: 36"  
 Height: 31-1/2"– 42"  
 Depth: 36"

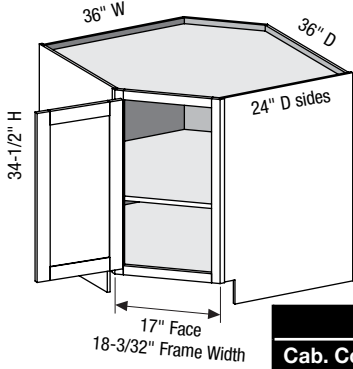
D	DF	DB	EXT	EXP	FL	WS	MI	FT
1	1			✓	✓		✓	✓

- Minimum entry opening width required is 35" (doorways, hallways, etc.).
- False drawer front.
- No shelf support holes.
- When Blum hinges are ordered in 1-1/4" and 1-3/8" overlay applications, cabinets will have their doors sized as 1/2" overlay in width only.
- 1-1/4" and 1-3/8" overlays require adequate clearance for door functionality between corner and adjacent cabinets. Use filler or extended stiles accordingly.

Cabinet Code	Advantage				Essence	Doors			Drawer Fronts		
	Price	Exposed End (ea.)	Flush End (ea.)	Shelf	Price	Inset	1/2"	1-1/4"	Inset	1/2"	1-1/4"
BSC3634.5				—		1.9	2.3	2.5	0.4	0.6	0.7

Options Key: D=Number of Doors DF=Number of Drawer Fronts DB=Drawer Boxes EXT=Extended Stiles EXP=Exposed End(s) FL=Flush End(s) WS=Solid Wood Shelves MI=Matching Interior FT=Flush Toe

**BCFD/CSBCFD - Base Corner Full Door**



Custom Size Ranges  
Width: 36"  
Height: 31-1/2" – 42"  
Depth: 36"

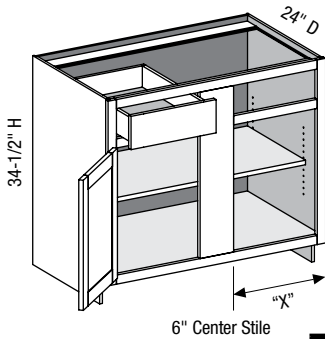
D	DF	DB	EXT	EXP	FL	WS	MI	FT
1	1			✓	✓		✓	✓

- Minimum entry opening width required is 35" (doorways, hallways, etc.).
- Shelf standard.
- Optional 32" round plastic susan available with 34-1/2" height only.
- When Blum hinges are ordered in 1-1/4" and 1-3/8" overlay applications, cabinets will have their doors sized as 1/2" overlay in width only.
- 1-1/4" and 1-3/8" overlays require adequate clearance for door functionality between corner and adjacent cabinets. Use filler or extended stiles accordingly.

Susan Option Upgrade		
Cab. Code	Advantage	Essence
BCFD3634.5		

Cabinet Code	Advantage				Essence	Doors			Drawer Fronts		
	Price	Exposed End (ea.)	Flush End (ea.)	Shelf	Price	Inset	1/2"	1-1/4"	Inset	1/2"	1-1/4"
BCFD3634.5						2.5	3.0	3.2	—	—	—

**BBC/CSBBC - Base Blind Corner**



Custom Size Ranges  
Width: 36", 39", 42", 45", 48"  
Height: 31-1/2" – 42"  
Depth: 12", 15", 18", 21", 24", 27", 30"

D	DF	DB	EXT	EXP	FL	WS	MI	FT
1	1	1	✓	✓	✓	✓	✓	✓

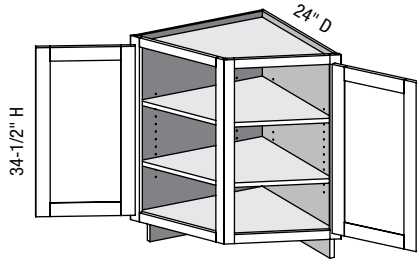
- Units are reversible right or left (left shown).
- For 1-1/4" or 1-3/8" overlays, doors may require custom sizes depending on hardware.
- Cabinet can be pulled an additional 2-1/4" beyond recommended space for most hardware.
- 12", 15", 27" and 30" cabinet depths are available with TANDEM slides only.

Cabinet Code	Cabinet Width	Cabinet Width Opening	"X"	Minimum Space Required	Recommended Space For Most Hardware
BBC3634.5	27"	9"	10-1/2"	36"	37-1/2"
BBC3934.5	33"	12"	13-1/2"	39"	40-1/2"
BBC4234.5	39"	15"	16-1/2"	42"	43-1/2"
BBC4534.5	45"	18"	19-1/2"	45"	46-1/2"
BBC4834.5	48"	19-1/2"	21"	48"	48"

Cabinet Code	Advantage				Essence	Doors			Drawer Fronts		
	Price	Exposed End (ea.)	Flush End (ea.)	Shelf	Price	Inset	1/2"	1-1/4"	Inset	1/2"	1-1/4"
BBC3634.5						1.3	1.5	1.9	0.3	0.4	0.5
BBC3934.5						1.7	2.0	2.3	0.4	0.5	0.6
BBC4234.5						2.1	2.4	2.8	0.5	0.7	0.8
BBC4534.5						2.6	2.9	3.3	0.6	0.8	0.9
BBC4834.5						2.8	3.1	3.6	0.6	0.9	1.0

**Options Key:** D=Number of Doors DF=Number of Drawer Fronts DB=Drawer Boxes EXT=Extended Stiles EXP=Exposed End(s) FL=Flush End(s) WS=Solid Wood Shelves MI=Matching Interior FT=Flush Toe

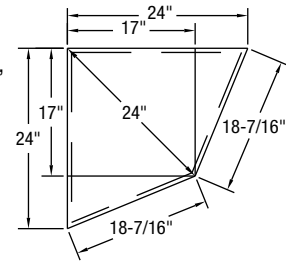
### BAE/CSBAE - Base Angle End



Custom Size Ranges  
 Width: 24"  
 Height: 31-1/2" - 42"  
 Depth: 24"

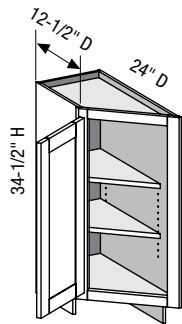
D	DF	DB	EXT	EXP	FL	WS	MI	FT
1	1			✓	✓		✓	✓

- Two 15" wide openings.
- 1-13/16" wide stiles outside, 1-5/8" wide stiles inside.



Cabinet Code	Advantage				Essence	Doors			Drawer Fronts		
	Price	Exposed End (ea.)	Flush End (ea.)	Shelf	Price	Inset	1/2"	1-1/4"	Inset	1/2"	1-1/4"
BAE2434.5		—	—			5.6	6.3	7.3	—	—	—

### BEAL(R)/CSBEAL(R) - Base End Angle Left (or Right)



Custom Size Ranges  
 Width: 12"  
 Height: 31-1/2" - 42"  
 Depth: 24"

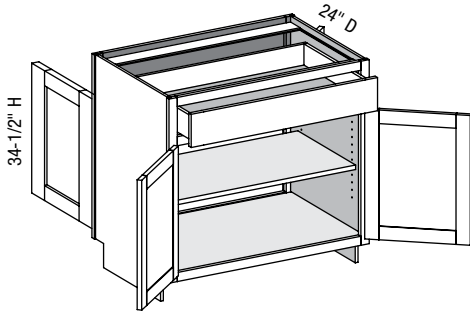
D	DF	DB	EXT	EXP	FL	WS	MI	FT
1			✓	✓	✓	✓	✓	✓

- Units are reversible right or left (left shown).
- 1-13/16" stile face width.
- Flush end available on 12-1/2" deep side.
- Exposed end available on 24" deep side.

Cabinet Code	Advantage				Essence	Doors			Drawer Fronts		
	Price	Exposed End (ea.)	Flush End (ea.)	Shelf	Price	Inset	1/2"	1-1/4"	Inset	1/2"	1-1/4"
BEAL1234.5						2.3	2.7	3.1	—	—	—
BEAR1234.5						2.3	2.7	3.1	—	—	—

Options Key: D=Number of Doors DF=Number of Drawer Fronts DB=Drawer Boxes EXT=Extended Stiles EXP=Exposed End(s)  
 FL=Flush End(s) WS=Solid Wood Shelves MI=Matching Interior FT=Flush Toe

### BDE/CSBDE - Base Double Entry w/Butt Doors



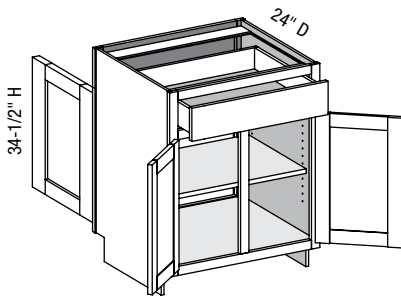
Custom Size Ranges  
Width: 24" – 36"  
Height: 31-1/2" – 42"  
Depth: 12", 15", 18",  
21", 24", 27", 30"

D	DF	DB	EXT	EXP	FL	WS	MI	FT
4	2	1	✓	✓	✓		✓	✓

- One false drawer front.
- When height changes, lower opening height changes. Drawer height fixed at 5".
- Specify single or butt doors on cabinets 24" wide.
- 12", 15", 27" and 30" cabinet depths are available with TANDEM slides only.

Cabinet Code	Advantage				Essence	Doors			Drawer Fronts		
	Price	Exposed End (ea.)	Flush End (ea.)	Shelf	Price	Inset	1/2"	1-1/4"	Inset	1/2"	1-1/4"
BDE2434.5BD				—		6.0	6.7	7.5	1.4	1.8	2.0
BDE2734.5BD				—		6.8	7.6	8.5	1.6	2.1	2.3
BDE3034.5BD				—		7.7	8.5	9.5	1.8	2.3	2.6
BDE3634.5BD				—		9.4	10.4	11.4	2.2	2.8	3.1

### BDE/CSBDE2D1D - Base Double Entry Two Door One Drawer



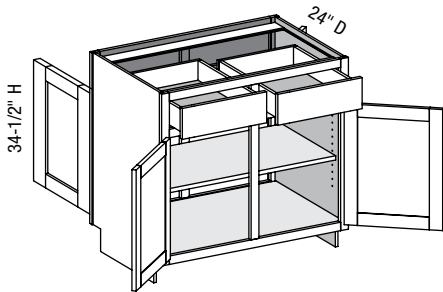
Custom Size Ranges  
Width: 27" – 36"  
Height: 31-1/2" – 42"  
Depth: 12", 15", 18",  
21", 24", 27", 30"

D	DF	DB	EXT	EXP	FL	WS	MI	FT
4	2	1	✓	✓	✓		✓	✓

- One false drawer front.
- When height changes, lower opening height changes. Drawer height fixed at 5".
- 12", 15", 27" and 30" cabinet depths are available with TANDEM slides only.

Cabinet Code	Advantage				Essence	Doors			Drawer Fronts		
	Price	Exposed End (ea.)	Flush End (ea.)	Shelf	Price	Inset	1/2"	1-1/4"	Inset	1/2"	1-1/4"
BDE2734.5				—		6.4	7.5	8.4	1.6	2.1	2.3

### BDE/CSBDECS - Base Double Entry w/Center Stile



Custom Size Ranges  
Width: 30" – 48"  
Height: 31-1/2" – 42"  
Depth: 12", 15", 18",  
21", 24", 27", 30"

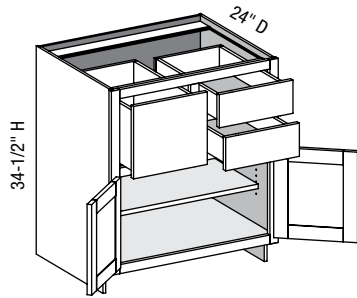
D	DF	DB	EXT	EXP	FL	WS	MI	FT
4	4	1	✓	✓	✓		✓	✓

- One false drawer front.
- When height changes, lower opening height changes. Drawer height fixed at 5".
- 12", 15", 27" and 30" cabinet depths are available with TANDEM slides only.

Cabinet Code	Advantage				Essence	Doors			Drawer Fronts		
	Price	Exposed End (ea.)	Flush End (ea.)	Shelf	Price	Inset	1/2"	1-1/4"	Inset	1/2"	1-1/4"
BDE3034.5				—		7.3	8.4	9.4	1.7	2.3	2.5
BDE3634.5				—		9.0	10.2	11.3	2.1	2.8	3.0
BDE4234.5				—		10.7	12.1	13.2	2.5	3.3	3.6
BDE4834.5				—		12.5	13.9	15.2	2.9	3.8	4.1

**Options Key:** D=Number of Doors DF=Number of Drawer Fronts DB=Drawer Boxes EXT=Extended Stiles EXP=Exposed End(s)  
FL=Flush End(s) WS=Solid Wood Shelves MI=Matching Interior FT=Flush Toe

### BC3DL/CSBC3DL - Base Combo Three Drawer Left w/Butt Doors



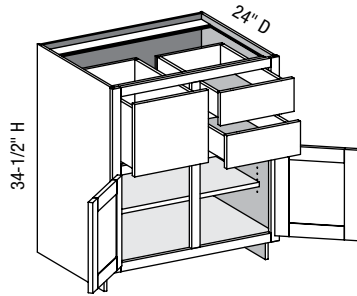
Custom Size Ranges  
 Width: 24"– 36"  
 Height: 31-1/2"– 42"  
 Depth: 12", 15", 18",  
 21", 24", 27", 30"

D	DF	DB	EXT	EXP	FL	WS	MI	FT
2	3	3	✓	✓	✓	✓	✓	✓

- When height changes, lower opening height changes. Drawer opening height fixed at 5" and 11-1/2".
- When width changes, drawer opening widths are equal.
- 12", 15", 27" and 30" cabinet depths are available with TANDEM slides only.

Cabinet Code	Advantage				Essence	Doors			Drawer Fronts		
	Price	Exposed End (ea.)	Flush End (ea.)	Shelf	Price	Inset	1/2"	1-1/4"	Inset	1/2"	1-1/4"
BC3DL2434.5BD						2.0	2.4	2.7	1.4	1.8	2.0
BC3DL2734.5BD						2.3	2.7	3.0	1.6	2.1	2.3
BC3DL3034.5BD						2.6	3.0	3.4	1.8	2.3	2.6
BC3DL3334.5BD						2.9	3.3	3.7	2.0	2.6	2.8
BC3DL3634.5BD						3.2	3.6	4.1	2.3	2.9	3.1

### BC3DL/CSBC3DLCS - Base Combo Three Drawer Left w/Center Stile



Custom Size Ranges  
 Width: 27"– 48"  
 Height: 31-1/2"– 42"  
 Depth: 12", 15", 18",  
 21", 24", 27", 30"

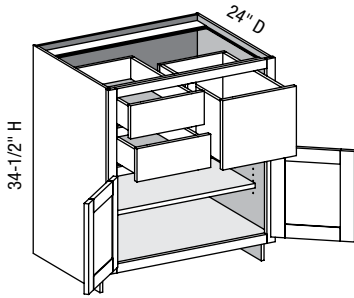
D	DF	DB	EXT	EXP	FL	WS	MI	FT
2	3	3	✓	✓	✓	✓	✓	✓

- When height changes, lower opening height changes. Drawer opening height fixed at 5" and 11-1/2".
- When width changes, drawer opening widths are equal.
- 12", 15", 27" and 30" cabinet depths are available with TANDEM slides only.

Cabinet Code	Advantage				Essence	Doors			Drawer Fronts		
	Price	Exposed End (ea.)	Flush End (ea.)	Shelf	Price	Inset	1/2"	1-1/4"	Inset	1/2"	1-1/4"
BC3DL2734.5						2.2	2.6	3.0	1.6	2.1	2.3
BC3DL3034.5						2.5	3.0	3.3	1.8	2.3	2.6
BC3DL3334.5						2.8	3.3	3.7	2.0	2.6	2.8
BC3DL3634.5						3.1	3.6	4.0	2.3	2.9	3.1

**Options Key:** D=Number of Doors DF=Number of Drawer Fronts DB=Drawer Boxes EXT=Extended Stiles EXP=Exposed End(s)  
 FL=Flush End(s) WS=Solid Wood Shelves MI=Matching Interior FT=Flush Toe

### BC3DR/CSBC3DR - Base Combo Three Drawer Right w/Butt Doors



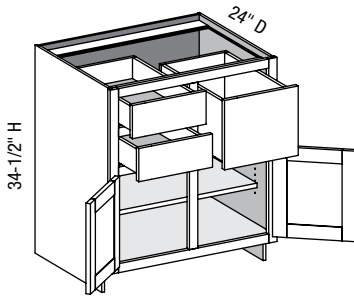
Custom Size Ranges  
 Width: 24" – 36"  
 Height: 31-1/2" – 42"  
 Depth: 12", 15", 18",  
 21", 24", 27", 30"

D	DF	DB	EXT	EXP	FL	WS	MI	FT
2	3	3	✓	✓	✓	✓	✓	✓

- When height changes, lower opening height changes. Drawer opening height fixed at 5" and 11-1/2".
- When width changes, drawer opening widths are equal.
- 12", 15", 27" and 30" cabinet depths are available with TANDEM slides only.

Cabinet Code	Advantage				Essence	Doors			Drawer Fronts		
	Price	Exposed End (ea.)	Flush End (ea.)	Shelf	Price	Inset	1/2"	1-1/4"	Inset	1/2"	1-1/4"
BC3DR2434.5BD						2.0	2.4	2.7	1.4	1.8	2.0
BC3DR2734.5BD						2.3	2.7	3.0	1.6	2.1	2.3
BC3DR3034.5BD						2.6	3.0	3.4	1.8	2.3	2.6
BC3DR3334.5BD						2.9	3.3	3.7	2.0	2.6	2.8
BC3DR3634.5BD						3.2	3.6	4.1	2.3	2.9	3.1

### BC3DR/CSBC3DRCS - Base Combo Three Drawer Right w/Center Stile



Custom Size Ranges  
 Width: 27" – 48"  
 Height: 31-1/2" – 42"  
 Depth: 12", 15", 18",  
 21", 24", 27", 30"

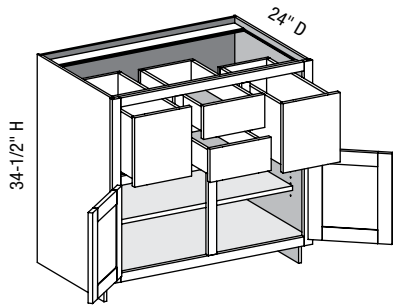
D	DF	DB	EXT	EXP	FL	WS	MI	FT
2	3	3	✓	✓	✓	✓	✓	✓

- When height changes, lower opening height changes. Drawer opening height fixed at 5" and 11-1/2".
- When width changes, drawer opening widths are equal.
- 12", 15", 27" and 30" cabinet depths are available with TANDEM slides only.

Cabinet Code	Advantage				Essence	Doors			Drawer Fronts		
	Price	Exposed End (ea.)	Flush End (ea.)	Shelf	Price	Inset	1/2"	1-1/4"	Inset	1/2"	1-1/4"
BC3DR2734.5						2.2	2.6	3.0	1.6	2.1	2.3
BC3DR3034.5						2.5	3.0	3.3	1.8	2.3	2.6
BC3DR3334.5						2.8	3.3	3.7	2.0	2.6	2.8
BC3DR3634.5						3.1	3.6	4.0	2.3	2.9	3.1

**Options Key:** D=Number of Doors DF=Number of Drawer Fronts DB=Drawer Boxes EXT=Extended Stiles EXP=Exposed End(s)  
 FL=Flush End(s) WS=Solid Wood Shelves MI=Matching Interior FT=Flush Toe

### BC4D/CSBC4DCS - Base Combo Four Drawer



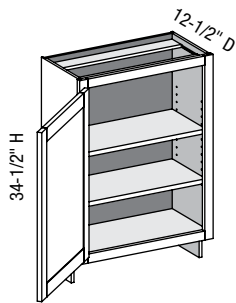
Custom Size Ranges  
 Width: 36" – 48"  
 Height: 31-1/2" – 42"  
 Depth: 12", 15", 18",  
 21", 24", 27", 30"

D	DF	DB	EXT	EXP	FL	WS	MI	FT
2	4	4	✓	✓	✓	✓	✓	✓

- When height changes, lower opening height changes. Drawer opening height fixed at 5" and 11-1/2".
- When width changes, drawer opening widths are equal.
- 12", 15", 27" and 30" cabinet depths are available with TANDEM slides only.

Cabinet Code	Advantage				Essence	Doors			Drawer Fronts		
	Price	Exposed End (ea.)	Flush End (ea.)	Shelf	Price	Inset	1/2"	1-1/4"	Inset	1/2"	1-1/4"
BC4D2434.5BD						2.0	2.4	2.7	1.4	1.8	2.0
BC4D2734.5BD						2.3	2.7	3.0	1.6	2.1	2.3
BC4D3034.5BD						2.6	3.0	3.4	1.8	2.3	2.6
BC4D3334.5BD						2.9	3.3	3.7	2.0	2.6	2.8
BC4D3634.5BD						3.2	3.6	4.1	2.3	2.9	3.1

### BWD/CSBFD - Base Full Door



Custom Size Ranges  
 Width: 9" – 24"  
 Height: 10" – 48"  
 Depth: 5-1/2" – 30"

D	DF	DB	EXT	EXP	FL	WS	MI	FT
1			✓	✓	✓	✓	✓	✓

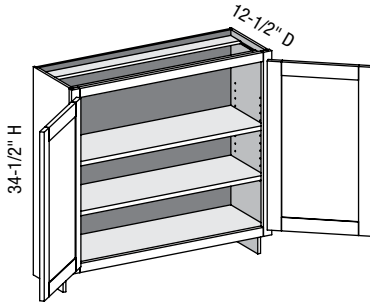
- 10" – 22" high has no shelves.
- 22-1/16" – 28" high has 1 shelf.
- 28-1/16" – 40" high has 2 shelves.
- 40-1/16" – 48" high has 3 shelves.
- Specify single or butt doors on cabinets 24" wide.

Cabinet Code	Advantage				Essence	Doors			Drawer Fronts		
	Price	Exposed End (ea.)	Flush End (ea.)	Shelf	Price	Inset	1/2"	1-1/4"	Inset	1/2"	1-1/4"
BWD1234.5						1.7	2.0	2.4	—	—	—
BWD1534.5						2.2	2.6	3.0	—	—	—
BWD1834.5						2.8	3.2	3.6	—	—	—
BWD2134.5						3.4	3.8	4.3	—	—	—
BWD2434.5						3.9	4.4	4.9	—	—	—

**Options Key:** D=Number of Doors DF=Number of Drawer Fronts DB=Drawer Boxes EXT=Extended Stiles EXP=Exposed End(s)  
 FL=Flush End(s) WS=Solid Wood Shelves MI=Matching Interior FT=Flush Toe



### BWD/CSBFD - Base Full Door w/Butt Doors



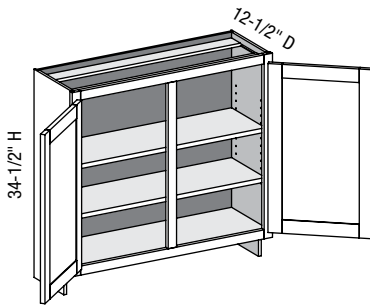
Custom Size Ranges  
 Width: 24" – 36"  
 Height: 10" – 48"  
 Depth: 5-1/2" – 30"

D	DF	DB	EXT	EXP	FL	WS	MI	FT
2			✓	✓	✓	✓	✓	✓

- 10" – 22" high has no shelves.
- 22-1/16" – 28" high has 1 shelf.
- 28-1/16" – 40" high has 2 shelves.
- 40-1/16" – 48" high has 3 shelves.
- Specify single or butt doors on cabinets 24" wide.

Cabinet Code	Advantage				Essence	Doors			Drawer Fronts		
	Price	Exposed End (ea.)	Flush End (ea.)	Shelf	Price	Inset	1/2"	1-1/4"	Inset	1/2"	1-1/4"
BWD2434.5BD						3.9	4.3	4.9	—	—	—
BWD2734.5BD						4.5	4.9	5.5	—	—	—
BWD3034.5BD						5.0	5.5	6.1	—	—	—
BWD3334.5BD						5.6	6.1	6.7	—	—	—
BWD3634.5BD						6.2	6.7	7.4	—	—	—

### BWD/CSBFDCS - Base Full Door w/Center Stile



Custom Size Ranges  
 Width: 27" – 48"  
 Height: 10" – 48"  
 Depth: 5-1/2" – 30"

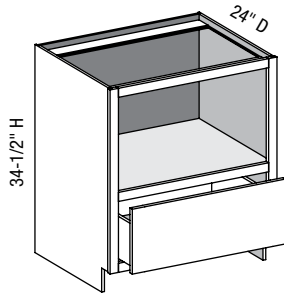
D	DF	DB	EXT	EXP	FL	WS	MI	FT
2			✓	✓	✓	✓	✓	✓

- 10" – 22" high has no shelves.
- 22-1/16" – 28" high has 1 shelf.
- 28-1/16" – 40" high has 2 shelves.
- 40-1/16" – 48" high has 3 shelves.

Cabinet Code	Advantage				Essence	Doors			Drawer Fronts		
	Price	Exposed End (ea.)	Flush End (ea.)	Shelf	Price	Inset	1/2"	1-1/4"	Inset	1/2"	1-1/4"
BWD2734.5						4.2	4.8	5.4	—	—	—
BWD3034.5						4.8	5.4	6.0	—	—	—
BWD3334.5						5.3	6.0	6.7	—	—	—
BWD3634.5						5.9	6.6	7.3	—	—	—
BWD3934.5						6.5	7.2	7.9	—	—	—
BWD4234.5						7.0	7.8	8.5	—	—	—
BWD4534.5						7.6	8.4	9.2	—	—	—
BWD4834.5						8.2	9.0	9.8	—	—	—

**Options Key:** D=Number of Doors DF=Number of Drawer Fronts DB=Drawer Boxes EXT=Extended Stiles EXP=Exposed End(s)  
 FL=Flush End(s) WS=Solid Wood Shelves MI=Matching Interior FT=Flush Toe

### BUCM/CSBUM - Base Under Counter Microwave



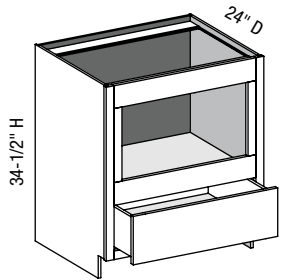
Custom Size Ranges  
 Width: 24"– 36"  
 Height: 31-1/2"– 42"  
 Depth: 12", 15", 18",  
 21", 24", 27", 30"

D	DF	DB	EXT	EXP	FL	WS	MI	FT
	1	1	✓	✓	✓		✓	✓

- For 34-1/2" high cabinets, top opening height is 15-3/4".
- When height changes, upper opening height changes. Lower opening height fixed at 10-1/4".
- 12", 15", 27" and 30" cabinet depths are available with TANDEM slides only.

Cabinet Code	Advantage				Essence	Doors			Drawer Fronts		
	Price	Exposed End (ea.)	Flush End (ea.)	Shelf	Price	Inset	1/2"	1-1/4"	Inset	1/2"	1-1/4"
BUCM2434.5				—		—	—	—	1.5	1.7	2.1
BUCM2734.5				—		—	—	—	1.7	2.0	2.3
BUCM3034.5				—		—	—	—	1.9	2.2	2.6

### BIUCM/CSBIUCM - Built-In Under Counter Microwave



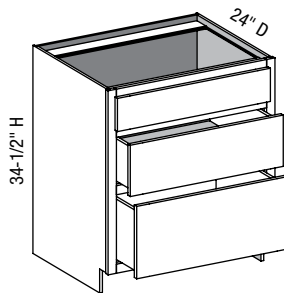
Custom Size Ranges  
 Width: 24"– 36"  
 Height: 31-1/2"– 42"  
 Depth: 12", 15", 18",  
 21", 24", 27", 30"

D	DF	DB	EXT	EXP	FL	WS	MI	FT
	1	1	✓	✓	✓		✓	✓

- Microwave opening is 13" high, width is 6" less than cabinet width.
- Microwave opening is trimmable to 5" in height and 3" in width.
- For 34-1/2" high cabinets, top opening height is 13".
- When height changes, upper opening height changes. Lower opening height fixed at 8".
- 12", 15", 27" and 30" cabinet depths are available with TANDEM slides only.
- No shelf support holes.

Cabinet Code	Advantage				Essence	Doors			Drawer Fronts		
	Price	Exposed End (ea.)	Flush End (ea.)	Shelf	Price	Inset	1/2"	1-1/4"	Inset	1/2"	1-1/4"
BIUCM2734.5				—		—	—	—	1.3	1.6	1.9
BIUCM3034.5				—		—	—	—	1.5	1.8	2.1
BIUCM3334.5				—		—	—	—	1.6	1.9	2.3
BIUCM3634.5				—		—	—	—	1.8	2.1	2.5

### BR3D/CSBR3D - Base Range Three Drawer



Custom Size Ranges  
 Width: 30"– 39"  
 Height: 31-1/2"– 34-1/2"  
 Depth: 12", 15", 18",  
 21", 24", 27", 30"

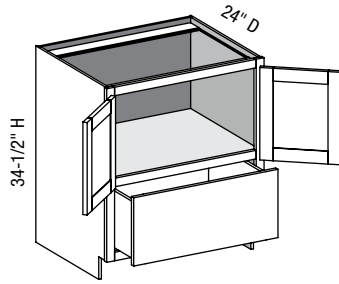
D	DF	DB	EXT	EXP	FL	WS	MI	FT
	3	2	✓	✓	✓		✓	✓

- False top drawer front.
- When height changes, lower opening height changes. Upper drawer opening heights fixed at 5" and 8".
- 12", 15", 27" and 30" cabinet depths are available with TANDEM slides only.
- No shelf support holes.

Cabinet Code	Advantage				Essence	Doors			Drawer Fronts		
	Price	Exposed End (ea.)	Flush End (ea.)	Shelf	Price	Inset	1/2"	1-1/4"	Inset	1/2"	1-1/4"
BR3D2434.5				—		—	—	—	1.5	1.7	2.1
BR3D3034.5				—		—	—	—	1.9	2.2	2.6

Options Key: D=Number of Doors DF=Number of Drawer Fronts DB=Drawer Boxes EXT=Extended Stiles EXP=Exposed End(s) FL=Flush End(s) WS=Solid Wood Shelves MI=Matching Interior FT=Flush Toe

### BCT/CSBCT - Base Cook Top w/Butt Doors



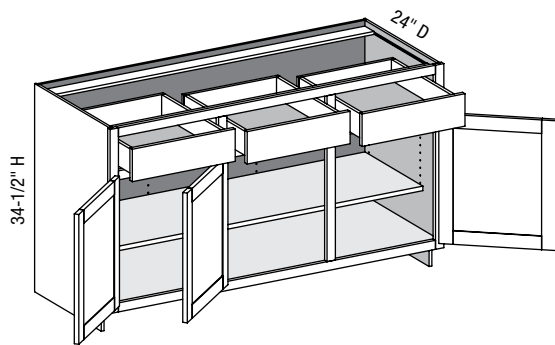
Custom Size Ranges  
 Width: 30"– 42"  
 Height: 31-1/2"– 42"  
 Depth: 12", 15", 18",  
 21", 24", 27", 30"

D	DF	DB	EXT	EXP	FL	WS	MI	FT
2	1	1	✓	✓	✓		✓	✓

- When height changes, upper opening height changes. Lower opening height fixed at 11-1/2".
- 12", 15", 27" and 30" cabinet depths are available with TANDEM slides only.

Cabinet Code	Advantage				Essence	Doors			Drawer Fronts		
	Price	Exposed End (ea.)	Flush End (ea.)	Shelf	Price	Inset	1/2"	1-1/4"	Inset	1/2"	1-1/4"
BCT3034.5BD				—		2.6	3.0	3.2	2.1	2.4	2.8
BCT3334.5BD				—		2.9	3.3	3.5	2.3	2.7	3.1
BCT3634.5BD				—		3.2	3.6	3.9	2.6	3.0	3.4
BCT3934.5BD				—		3.5	4.0	4.2	2.8	3.2	3.7
BCT4234.5BD				—		3.8	4.3	4.5	3.0	3.5	4.0

### B/CSB3D3D - Base Three Door Three Drawer



Custom Size Ranges  
 Width: 48"– 72"  
 Height: 31-1/2"– 42"  
 Depth: 12", 15", 18",  
 21", 24", 27",  
 30"

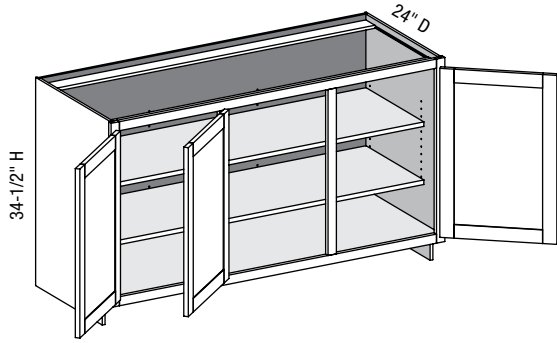
D	DF	DB	EXT	EXP	FL	WS	MI	FT
3	3	3	✓	✓	✓		✓	✓

- Additional shelf holes are provided in cabinet back to support wide shelves.
- Doors hinged on center stile require 1/2" overlay hinges for 1-1/4" or 1-3/8" overlay.
- When height changes, lower opening height changes. Drawer opening height fixed at 5".
- 12", 15", 27" and 30" cabinet depths are available with TANDEM slides only.

Cabinet Code	Advantage				Essence	Doors			Drawer Fronts		
	Price	Exposed End (ea.)	Flush End (ea.)	Shelf	Price	Inset	1/2"	1-1/4"	Inset	1/2"	1-1/4"
B5134.5				—		6.6	7.3	7.9	1.6	1.9	2.1
B5434.5				—		7.0	7.8	8.5	1.6	2.1	2.2
B5734.5				—		7.4	8.3	9.0	1.8	2.2	2.4
B6034.5				—		7.8	8.7	9.4	1.9	2.4	2.5
B6334.5				—		8.3	9.2	9.9	2.0	2.5	2.7
B6634.5				—		8.7	9.6	10.4	2.1	2.6	2.8
B6934.5				—		9.2	10.1	11.0	2.2	2.7	2.9
B7234.5				—		9.6	10.5	11.3	2.3	2.9	3.1

**Options Key:** D=Number of Doors DF=Number of Drawer Fronts DB=Drawer Boxes EXT=Extended Stiles EXP=Exposed End(s)  
 FL=Flush End(s) WS=Solid Wood Shelves MI=Matching Interior FT=Flush Toe

### BFD/CSBFD2CS - Base Full Door w/Two Center Stiles



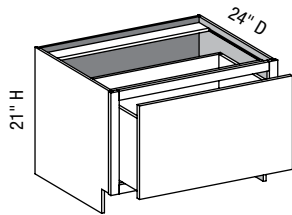
Custom Size Ranges  
 Width: 48"– 72"  
 Height: 10"– 42"  
 Depth: 5-1/2"– 30"

D	DF	DB	EXT	EXP	FL	WS	MI	FT
3			✓	✓	✓		✓	✓

- Additional shelf holes are provided in cabinet back to support wide shelves.
- Doors hinged on center stile require 1/2" overlay hinges for 1-1/4" or 1-3/8" overlay.
- 10"– 22" high has no shelves.
- 22-1/16"– 28" high has 1 shelf.
- 28-1/16"– 40" high has 2 shelves.
- 40-1/16"– 48" high has 3 shelves.

Cabinet Code	Advantage				Essence	Doors			Drawer Fronts		
	Price	Exposed End (ea.)	Flush End (ea.)	Shelf	Price	Inset	1/2"	1-1/4"	Inset	1/2"	1-1/4"
BFD5134.5				—		10.6	11.7	12.5	—	—	—
BFD5434.5				—		11.9	12.4	13.3	—	—	—
BFD5734.5				—		12.0	13.1	14.1	—	—	—
BFD6034.5				—		12.8	13.9	14.8	—	—	—
BFD6334.5				—		13.5	14.6	15.6	—	—	—
BFD6634.5				—		14.1	15.3	16.3	—	—	—
BFD6934.5				—		14.9	16.0	17.1	—	—	—
BFD7234.5				—		15.6	16.7	17.9	—	—	—

### B1D/CSB1D - Base One Drawer



Custom Size Ranges  
 Width: 12"– 36"  
 Height: 12"– 21"  
 Depth: 12", 15", 18",  
 21", 24", 27", 30"

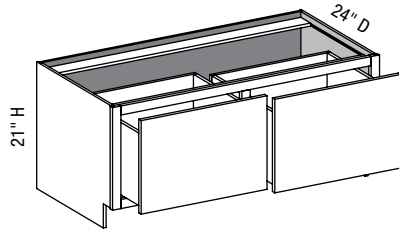
D	DF	DB	EXT	EXP	FL	WS	MI	FT
1	1		✓	✓	✓			✓

- When height changes, drawer box height changes proportionately.
- 12", 15", 27" and 30" cabinet depths are available with TANDEM slides only.
- No shelf support holes.

Cabinet Code	Advantage				Essence	Doors			Drawer Fronts		
	Price	Exposed End (ea.)	Flush End (ea.)	Shelf	Price	Inset	1/2"	1-1/4"	Inset	1/2"	1-1/4"
B1D1221				—		—	—	—	0.8	1.0	1.3
B1D1521				—		—	—	—	1.2	1.4	1.7
B1D1821				—		—	—	—	1.5	1.7	2.0
B1D2121				—		—	—	—	1.8	2.0	2.3
B1D2421				—		—	—	—	2.0	2.3	2.7
B1D2721				—		—	—	—	2.3	2.6	3.0
B1D3021				—		—	—	—	2.6	2.9	3.4
B1D3321				—		—	—	—	2.9	3.2	3.7
B1D3621				—		—	—	—	3.2	3.5	4.0

Options Key: D=Number of Doors DF=Number of Drawer Fronts DB=Drawer Boxes EXT=Extended Stiles EXP=Exposed End(s)  
 FL=Flush End(s) WS=Solid Wood Shelves MI=Matching Interior FT=Flush Toe

### B1D/CSB1DCS - Base One Drawer w/Center Stile



Custom Size Ranges  
 Width: 30"– 48"  
 Height: 12"– 21"  
 Depth: 12", 15", 18",  
 21", 24", 27", 30"

D	DF	DB	EXT	EXP	FL	WS	MI	FT
	2	2	✓	✓	✓			✓

- When height changes, drawer box height changes proportionately.
- 12", 15", 27" and 30" cabinet depths are available with TANDEM slides only.
- No shelf support holes.

Cabinet Code	Advantage				Essence	Doors			Drawer Fronts		
	Price	Exposed End (ea.)	Flush End (ea.)	Shelf	Price	Inset	1/2"	1-1/4"	Inset	1/2"	1-1/4"
B1D3921				—		—	—	—	3.4	3.8	4.3
B1D4221				—		—	—	—	3.6	4.1	4.7
B1D4521				—		—	—	—	3.9	4.4	5.0
B1D4821				—		—	—	—	4.2	4.7	5.4