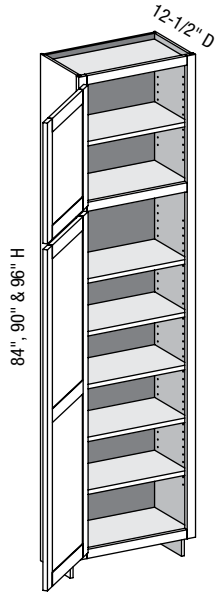


**UC/CSUC - Utility Cabinet**



Custom Size Ranges  
Width: 12" – 24"  
Height: 84" – 120"  
Depth: 5-1/2" – 30"

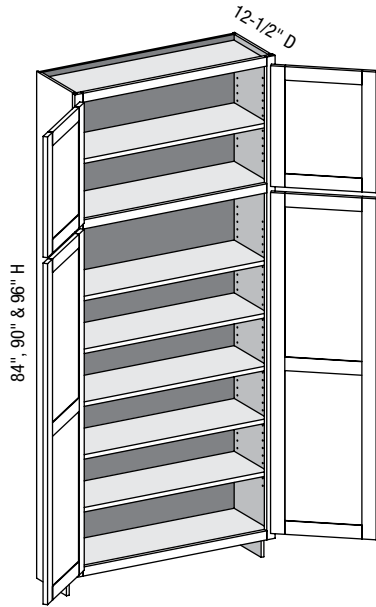
D	DF	DB	EXT	EXP	FL	WS	MI	FT
2			✓	✓	✓	✓	✓	✓

- 84" – 90" high has six shelves.
- 90-1/16" – 96" high has seven shelves.
- When height changes, upper opening height changes. Lower opening height fixed at 56".
- Separate 4" high toe platform available in all cabinet heights.
- Specify single or butt doors on cabinets 24" wide.

Cabinet Code	Advantage				Essence	Doors			Drawer Fronts		
	Price	Exposed End (ea.)	Flush End (ea.)	Shelf	Price	Inset	1/2"	1-1/4"	Inset	1/2"	1-1/4"
UC1584						N/A	6.2	8.0	—	—	—
UC1884						N/A	7.7	9.6	—	—	—
UC2184						N/A	9.3	11.2	—	—	—
UC2484						N/A	10.9	12.9	—	—	—
UC1590						N/A	6.7	8.6	—	—	—
UC1890						N/A	8.3	10.3	—	—	—
UC2190						N/A	10.0	12.1	—	—	—
UC2490						N/A	11.7	13.9	—	—	—
UC1596						N/A	7.1	9.2	—	—	—
UC1896						N/A	9.0	11.1	—	—	—
UC2196						N/A	10.8	13.0	—	—	—
UC2496						N/A	12.6	14.9	—	—	—

**Options Key:** D=Number of Doors DF=Number of Drawer Fronts DB=Drawer Boxes EXT=Extended Stiles EXP=Exposed End(s)  
FL=Flush End(s) WS=Solid Wood Shelves MI=Matching Interior FT=Flush Toe

## UC/CSUC - Utility Cabinet w/Butt Doors



Custom Size Ranges  
 Width: 24"– 36"  
 Height: 84"– 120"  
 Depth: 5-1/2"– 30"

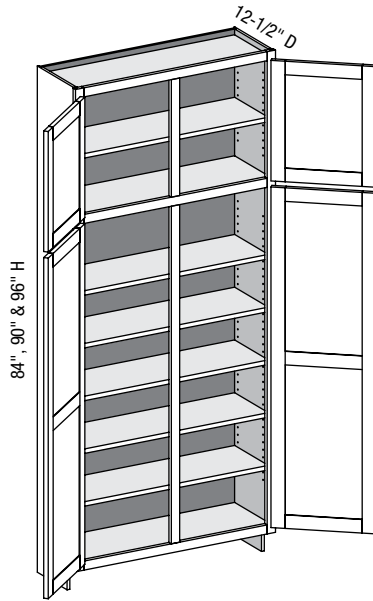
D	DF	DB	EXT	EXP	FL	WS	MI	FT
4			✓	✓	✓	✓	✓	✓

- 84"– 90" high has six shelves.
- 90-1/16"– 96" high has seven shelves.
- When height changes, upper opening height changes. Lower opening height fixed at 56".
- Separate 4" high toe platform available in all cabinet heights.
- Specify single or butt doors on cabinets 24" wide.

Cabinet Code	Advantage			Essence	Doors			Drawer Fronts			
	Price	Exposed End (ea.)	Flush End (ea.)	Shelf	Price	Inset	1/2"	1-1/4"	Inset	1/2"	1-1/4"
UC2484BD						10.8	11.8	12.8	—	—	—
UC2784BD						12.3	13.4	14.5	—	—	—
UC3084BD						13.9	15.0	16.1	—	—	—
UC3384BD						15.5	16.6	17.8	—	—	—
UC3684BD						17.0	18.2	19.4	—	—	—
UC2490BD						11.6	12.7	13.8	—	—	—
UC2790BD						13.3	14.4	15.6	—	—	—
UC3090BD						15.0	16.2	17.3	—	—	—
UC3390BD						16.7	17.9	19.1	—	—	—
UC3690BD						18.4	19.6	20.9	—	—	—
UC2496BD						12.5	13.6	14.8	—	—	—
UC2796BD						14.3	15.5	16.7	—	—	—
UC3096BD						16.1	17.3	18.6	—	—	—
UC3396BD						17.9	19.2	20.5	—	—	—
UC3696BD						19.7	21.1	22.4	—	—	—

Options Key: D=Number of Doors DF=Number of Drawer Fronts DB=Drawer Boxes EXT=Extended Stiles EXP=Exposed End(s)  
 FL=Flush End(s) WS=Solid Wood Shelves MI=Matching Interior FT=Flush Toe

## UC/CSUCCS - Utility Cabinet w/Center Stile



Custom Size Ranges  
 Width: 27"– 36"  
 Height: 84"– 120"  
 Depth: 5-1/2"– 30"

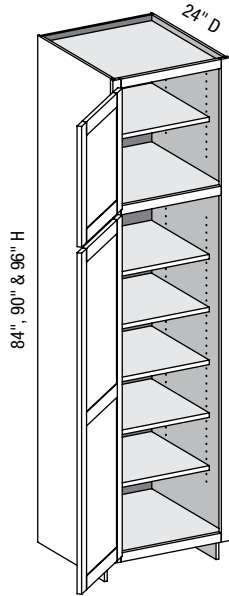
D	DF	DB	EXT	EXP	FL	WS	MI	FT
4			✓	✓	✓	✓	✓	✓

- 84"– 90" high has six shelves.
- 90-1/16"– 96" high has seven shelves.
- When height changes, upper opening height changes. Lower opening height fixed at 56".
- Separate 4" high toe platform available in all cabinet heights.

Cabinet Code	Advantage				Essence	Doors			Drawer Fronts		
	Price	Exposed End (ea.)	Flush End (ea.)	Shelf	Price	Inset	1/2"	1-1/4"	Inset	1/2"	1-1/4"
UC2784					—	11.5	13.2	14.3	—	—	—
UC3084					—	13.1	14.8	15.9	—	—	—
UC3384					—	14.7	16.4	17.6	—	—	—
UC3684					—	16.2	18.0	19.2	—	—	—
UC2790					—	12.5	14.2	15.3	—	—	—
UC3090					—	14.2	15.9	17.1	—	—	—
UC3390					—	15.8	17.7	18.9	—	—	—
UC3690					—	17.5	19.4	20.7	—	—	—
UC2796					—	13.4	15.2	16.4	—	—	—
UC3096					—	15.2	17.1	18.3	—	—	—
UC3396					—	17.0	19.0	20.2	—	—	—
UC3696					—	18.8	20.8	22.1	—	—	—

**Options Key:** D=Number of Doors DF=Number of Drawer Fronts DB=Drawer Boxes EXT=Extended Stiles EXP=Exposed End(s)  
 FL=Flush End(s) WS=Solid Wood Shelves MI=Matching Interior FT=Flush Toe

## UCD/CSUC - Utility Cabinet Deep



Custom Size Ranges  
 Width: 12"– 24"  
 Height: 84"– 120"  
 Depth: 5-1/2"– 30"

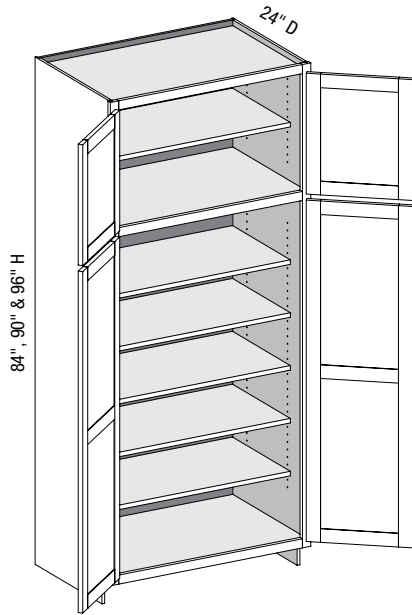
D	DF	DB	EXT	EXP	FL	WS	MI	FT
2			✓	✓	✓	✓	✓	✓

- 84"– 90" high has six shelves.
- 90-1/16"– 96" high has seven shelves.
- When height changes, upper opening height changes. Lower opening height fixed at 56".
- Separate 4" high toe platform available in all cabinet heights.
- Specify single or butt doors on cabinets 24" wide.

Cabinet Code	Advantage			Essence	Doors			Drawer Fronts			
	Price	Exposed End (ea.)	Flush End (ea.)	Shelf	Price	Inset	1/2"	1-1/4"	Inset	1/2"	1-1/4"
UCD1584					—	6.2	7.0	8.0	—	—	—
UCD1884					—	7.7	8.6	9.6	—	—	—
UCD2184					—	9.3	10.2	11.2	—	—	—
UCD2484					—	10.9	11.8	12.9	—	—	—
UCD1590					—	6.7	7.5	8.6	—	—	—
UCD1890					—	8.3	9.3	10.3	—	—	—
UCD2190					—	10.0	11.0	12.1	—	—	—
UCD2490					—	11.7	12.8	13.9	—	—	—
UCD1596					—	7.1	8.1	9.2	—	—	—
UCD1896					—	9.0	9.9	11.1	—	—	—
UCD2196					—	10.8	11.8	13.0	—	—	—
UCD2496					—	12.6	13.7	14.9	—	—	—

**Options Key:** D=Number of Doors DF=Number of Drawer Fronts DB=Drawer Boxes EXT=Extended Stiles EXP=Exposed End(s)  
 FL=Flush End(s) WS=Solid Wood Shelves MI=Matching Interior FT=Flush Toe

## UCD/CSUC - Utility Cabinet Deep w/Butt Doors



Custom Size Ranges  
 Width: 24" – 36"  
 Height: 84" – 120"  
 Depth: 5-1/2" – 30"

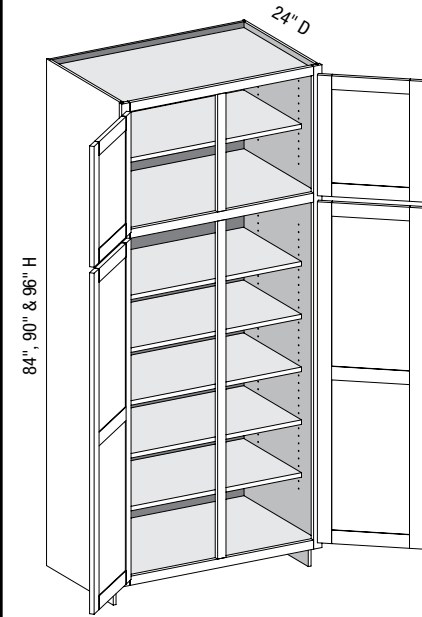
D	DF	DB	EXT	EXP	FL	WS	MI	FT
4			✓	✓	✓	✓	✓	✓

- 84" – 90" high has six shelves.
- 90-1/16" – 96" high has seven shelves.
- When height changes, upper opening height changes. Lower opening height fixed at 56".
- Separate 4" high toe platform available in all cabinet heights.
- Specify single or butt doors on cabinets 24" wide.

Cabinet Code	Advantage				Essence	Doors			Drawer Fronts		
	Price	Exposed End (ea.)	Flush End (ea.)	Shelf	Price	Inset	1/2"	1-1/4"	Inset	1/2"	1-1/4"
UCD2484BD						10.8	11.8	12.8	—	—	—
UCD2784BD						12.3	13.4	14.5	—	—	—
UCD3084BD						13.9	15.0	16.1	—	—	—
UCD3384BD						15.5	16.6	17.8	—	—	—
UCD3684BD						17.0	18.2	19.4	—	—	—
UCD2490BD						11.6	12.7	13.8	—	—	—
UCD2790BD						13.3	14.4	15.6	—	—	—
UCD3090BD						15.0	16.2	17.3	—	—	—
UCD3390BD						16.7	17.9	19.1	—	—	—
UCD3690BD						18.4	19.6	20.9	—	—	—
UCD2496BD						12.5	13.6	14.8	—	—	—
UCD2796BD						14.3	15.5	16.7	—	—	—
UCD3096BD						16.1	17.3	18.6	—	—	—
UCD3396BD						17.9	19.2	20.5	—	—	—
UCD3696BD						19.7	21.1	22.4	—	—	—

**Options Key:** D=Number of Doors DF=Number of Drawer Fronts DB=Drawer Boxes EXT=Extended Stiles EXP=Exposed End(s)  
 FL=Flush End(s) WS=Solid Wood Shelves MI=Matching Interior FT=Flush Toe

## UCD/CSUCCS - Utility Cabinet Deep w/Center Stile



Custom Size Ranges  
 Width: 27"– 36"  
 Height: 84"– 120"  
 Depth: 5-1/2"– 30"

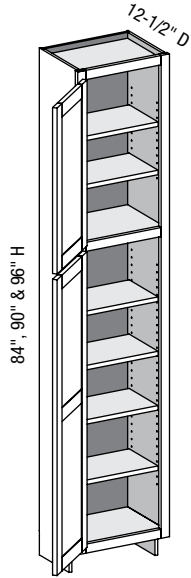
D	DF	DB	EXT	EXP	FL	WS	MI	FT
4			✓	✓	✓	✓	✓	✓

- 84"– 90" high has six shelves.
- 90-1/16"– 96" high has seven shelves.
- When height changes, upper opening height changes. Lower opening height fixed at 56".
- Separate 4" high toe platform available in all cabinet heights.

Cabinet Code	Advantage				Essence	Doors			Drawer Fronts		
	Price	Exposed End (ea.)	Flush End (ea.)	Shelf	Price	Inset	1/2"	1-1/4"	Inset	1/2"	1-1/4"
UCD2784						11.5	13.2	14.3	—	—	—
UCD3084						13.1	14.8	15.9	—	—	—
UCD3384						14.7	16.4	17.6	—	—	—
UCD3684						16.2	18.0	19.2	—	—	—
UCD2790						12.5	14.2	15.3	—	—	—
UCD3090						14.2	15.9	17.1	—	—	—
UCD3390						15.8	17.7	18.9	—	—	—
UCD3690						17.5	19.4	20.7	—	—	—
UCD2796						13.4	15.2	16.4	—	—	—
UCD3096						15.2	17.1	18.3	—	—	—
UCD3396						17.0	19.0	20.2	—	—	—
UCD3696						18.8	20.8	22.1	—	—	—

**Options Key:** D=Number of Doors DF=Number of Drawer Fronts DB=Drawer Boxes EXT=Extended Stiles EXP=Exposed End(s)  
 FL=Flush End(s) WS=Solid Wood Shelves MI=Matching Interior FT=Flush Toe

## UCW/CSUCW - Utility Cabinet Wall Height Top Section



Custom Size Ranges  
 Width: 12" – 24"  
 Height: 84" – 120"  
 Depth: 5-1/2" – 30"

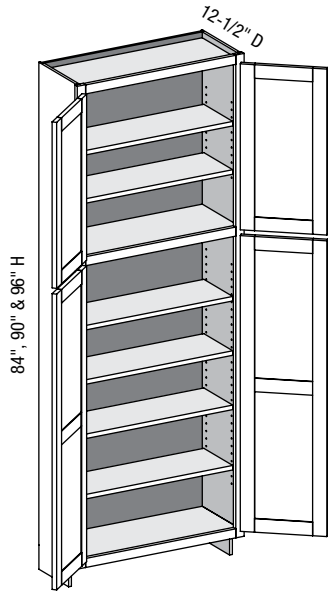
D	DF	DB	EXT	EXP	FL	WS	MI	FT
2			✓	✓	✓	✓	✓	✓

- Top section aligns with corresponding wall cabinet height as follows:  
 84" high – 30" wall cabinets – 27" opening  
 90" high – 36" wall cabinets – 33" opening  
 96" high – 42" wall cabinets – 39" opening
- 84" – 90" high has six shelves.
- 90-1/16" – 96" high has seven shelves.
- When cabinet height changes, top opening height changes accordingly. Lower opening height is fixed at 48-1/2".
- Separate 4" high toe platform available in all heights.
- Specify single or butt doors on cabinets 24" wide.

Cabinet Code	Advantage				Essence	Doors			Drawer Fronts		
	Price	Exposed End (ea.)	Flush End (ea.)	Shelf	Price	Inset	1/2"	1-1/4"	Inset	1/2"	1-1/4"
UCW1584						N/A	6.2	8.0	—	—	—
UCW1884						N/A	7.7	9.6	—	—	—
UCW2184						N/A	9.3	11.2	—	—	—
UCW2484						N/A	10.9	12.9	—	—	—
UCW1590						N/A	6.7	8.6	—	—	—
UCW1890						N/A	8.3	10.3	—	—	—
UCW2190						N/A	10.0	12.1	—	—	—
UCW2490						N/A	11.7	13.9	—	—	—
UCW1596						N/A	7.1	9.2	—	—	—
UCW1896						N/A	9.0	11.1	—	—	—
UCW2196						N/A	10.8	13.0	—	—	—
UCW2496						N/A	12.6	14.9	—	—	—

**Options Key:** D=Number of Doors DF=Number of Drawer Fronts DB=Drawer Boxes EXT=Extended Stiles EXP=Exposed End(s)  
 FL=Flush End(s) WS=Solid Wood Shelves MI=Matching Interior FT=Flush Toe

## UCW/CSUCW - Utility Cabinet Wall Height Top Section w/Butt Doors



Custom Size Ranges  
 Width: 24"– 36"  
 Height: 84"– 120"  
 Depth: 5-1/2"– 30"

D	DF	DB	EXT	EXP	FL	WS	MI	FT
4			✓	✓	✓	✓	✓	✓

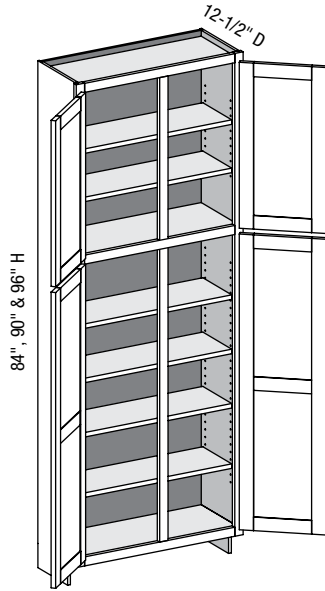
- Top section aligns with corresponding wall cabinet height as follows:  
 84" high – 30" wall cabinets – 27" opening  
 90" high – 36" wall cabinets – 33" opening  
 96" high – 42" wall cabinets – 39" opening
- 84"– 90" high has six shelves.
- 90-1/16"– 96" high has seven shelves.
- When cabinet height changes, top opening height changes accordingly. Lower opening height is fixed at 48-1/2".
- Separate 4" high toe platform available in all cabinet heights.
- Specify single or butt doors on cabinets 24" wide.

Cabinet Code	Advantage				Essence	Doors			Drawer Fronts		
	Price	Exposed End (ea.)	Flush End (ea.)	Shelf	Price	Inset	1/2"	1-1/4"	Inset	1/2"	1-1/4"
UCW2484BD						10.8	11.8	12.8	—	—	—
UCW2784BD						12.3	13.4	14.5	—	—	—
UCW3084BD						13.9	15.0	16.1	—	—	—
UCW3384BD						15.5	16.6	17.8	—	—	—
UCW3684BD						17.0	18.2	19.4	—	—	—
UCW2490BD						11.6	12.7	13.8	—	—	—
UCW2790BD						13.3	14.4	15.6	—	—	—
UCW3090BD						15.0	16.2	17.3	—	—	—
UCW3390BD						16.7	17.9	19.1	—	—	—
UCW3690BD						18.4	19.6	20.9	—	—	—
UCW2496BD						12.5	13.6	14.8	—	—	—
UCW2796BD						14.3	15.5	16.7	—	—	—
UCW3096BD						16.1	17.3	18.6	—	—	—
UCW3396BD						17.9	19.2	20.5	—	—	—
UCW3696BD						19.7	21.1	22.4	—	—	—

Options Key: D=Number of Doors DF=Number of Drawer Fronts DB=Drawer Boxes EXT=Extended Stiles EXP=Exposed End(s)  
 FL=Flush End(s) WS=Solid Wood Shelves MI=Matching Interior FT=Flush Toe



## UCW/CSUCWCS - Utility Cabinet Wall Height Top Section w/Center Stile



Custom Size Ranges  
 Width: 27" – 36"  
 Height: 84" – 120"  
 Depth: 5-1/2" – 30"

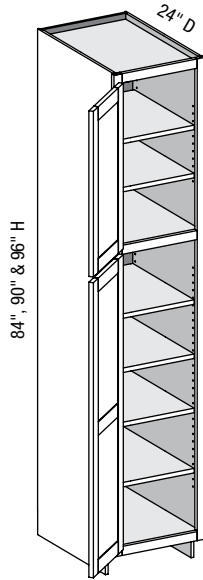
D	DF	DB	EXT	EXP	FL	WS	MI	FT
4			✓	✓	✓	✓	✓	✓

- Top section aligns with corresponding wall cabinet height as follows:  
 84" high – 30" wall cabinets – 27" opening  
 90" high – 36" wall cabinets – 33" opening  
 96" high – 42" wall cabinets – 39" opening
- 84" – 90" high has six shelves.
- 90-1/16" – 96" high has seven shelves.
- When cabinet height changes, top opening height changes accordingly. Lower opening height is fixed at 48-1/2".
- Separate 4" high toe platform available in all cabinet heights.
- Specify single or butt doors on cabinets 24" wide.

Cabinet Code	Advantage				Essence	Doors			Drawer Fronts		
	Price	Exposed End (ea.)	Flush End (ea.)	Shelf	Price	Inset	1/2"	1-1/4"	Inset	1/2"	1-1/4"
UCW2784					—	11.5	13.2	14.3	—	—	—
UCW3084					—	13.1	14.8	15.9	—	—	—
UCW3384					—	14.7	16.4	17.6	—	—	—
UCW3684					—	16.2	18.0	19.2	—	—	—
UCW2790					—	12.5	14.2	15.3	—	—	—
UCW3090					—	14.2	15.9	17.1	—	—	—
UCW3390					—	15.8	17.7	18.9	—	—	—
UCW3690					—	17.5	19.4	20.7	—	—	—
UCW2796					—	13.4	15.2	16.4	—	—	—
UCW3096					—	15.2	17.1	18.3	—	—	—
UCW3396					—	17.0	19.0	20.2	—	—	—
UCW3696					—	18.8	20.8	22.1	—	—	—

**Options Key:** D=Number of Doors DF=Number of Drawer Fronts DB=Drawer Boxes EXT=Extended Stiles EXP=Exposed End(s)  
 FL=Flush End(s) WS=Solid Wood Shelves MI=Matching Interior FT=Flush Toe

## UCDW/CSUCW - Utility Cabinet Deep Wall Height Top Section



Custom Size Ranges  
 Width: 12"– 24"  
 Height: 84"– 120"  
 Depth: 5-1/2"– 30"

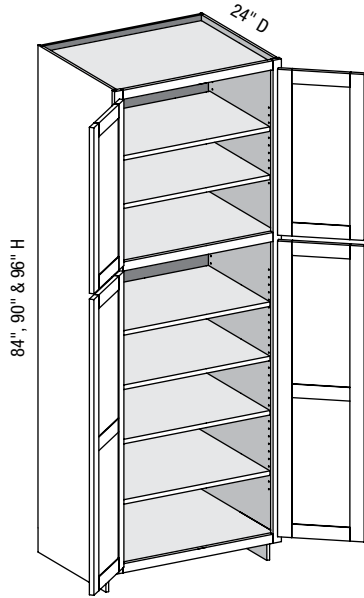
D	DF	DB	EXT	EXP	FL	WS	MI	FT
2			✓	✓	✓	✓	✓	✓

- Top section aligns with corresponding wall cabinet height as follows:  
 84" high – 30" wall cabinets – 27" opening  
 90" high – 36" wall cabinets – 33" opening  
 96" high – 42" wall cabinets – 39" opening
- 84"– 90" high has six shelves.
- 90-1/16"– 96" high has seven shelves.
- When cabinet height changes, top opening height changes accordingly. Lower opening height is fixed at 48-1/2".
- Separate 4" high toe platform available in all cabinet heights.
- Specify single or butt doors on cabinets 24" wide.

Cabinet Code	Advantage				Essence	Doors			Drawer Fronts		
	Price	Exposed End (ea.)	Flush End (ea.)	Shelf	Price	Inset	1/2"	1-1/4"	Inset	1/2"	1-1/4"
UCDW1584					—	6.2	7.0	8.0	—	—	—
UCDW1884					—	7.7	8.6	9.6	—	—	—
UCDW2184					—	9.3	10.2	11.2	—	—	—
UCDW2484					—	10.9	11.8	12.9	—	—	—
UCDW1590					—	6.7	7.5	8.6	—	—	—
UCDW1890					—	8.3	9.3	10.3	—	—	—
UCDW2190					—	10.0	11.0	12.1	—	—	—
UCDW2490					—	11.7	12.8	13.9	—	—	—
UCDW1596					—	7.1	8.1	9.2	—	—	—
UCDW1896					—	9.0	9.9	11.1	—	—	—
UCDW2196					—	10.8	11.8	13.0	—	—	—
UCDW2496					—	12.6	13.7	14.9	—	—	—

**Options Key:** D=Number of Doors DF=Number of Drawer Fronts DB=Drawer Boxes EXT=Extended Stiles EXP=Exposed End(s)  
 FL=Flush End(s) WS=Solid Wood Shelves MI=Matching Interior FT=Flush Toe

## UCDW/CSUCW - Utility Cabinet Deep Wall Height Top Section w/Butt Doors



Custom Size Ranges  
 Width: 24" – 36"  
 Height: 84" – 120"  
 Depth: 5-1/2" – 30"

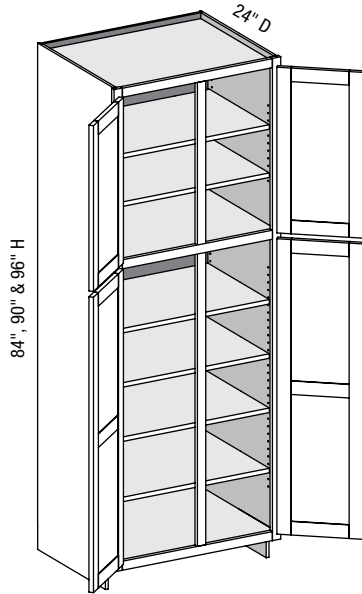
D	DF	DB	EXT	EXP	FL	WS	MI	FT
4			✓	✓	✓	✓	✓	✓

- Top section aligns with corresponding wall cabinet height as follows:  
 84" high – 30" wall cabinets – 27" opening  
 90" high – 36" wall cabinets – 33" opening  
 96" high – 42" wall cabinets – 39" opening
- 84" – 90" high has six shelves.
- 90-1/16" – 96" high has seven shelves.
- When cabinet height changes, top opening height changes accordingly. Lower opening height is fixed at 48-1/2".
- Separate 4" high toe platform available in all cabinet heights.
- Specify single or butt doors on cabinets 24" wide.

Cabinet Code	Advantage				Essence	Doors			Drawer Fronts		
	Price	Exposed End (ea.)	Flush End (ea.)	Shelf	Price	Inset	1/2"	1-1/4"	Inset	1/2"	1-1/4"
UCDW2484BD					—	10.8	11.8	12.8	—	—	—
UCDW2784BD					—	12.3	13.4	14.5	—	—	—
UCDW3084BD					—	13.9	15.0	16.1	—	—	—
UCDW3384BD					—	15.5	16.6	17.8	—	—	—
UCDW3684BD					—	17.0	18.2	19.4	—	—	—
UCDW2490BD					—	11.6	12.7	13.8	—	—	—
UCDW2790BD					—	13.3	14.4	15.6	—	—	—
UCDW3090BD					—	15.0	16.2	17.3	—	—	—
UCDW3390BD					—	16.7	17.9	19.1	—	—	—
UCDW3690BD					—	18.4	19.6	20.9	—	—	—
UCDW2496BD					—	12.5	13.6	14.8	—	—	—
UCDW2796BD					—	14.3	15.5	16.7	—	—	—
UCDW3096BD					—	16.1	17.3	18.6	—	—	—
UCDW3396BD					—	17.9	19.2	20.5	—	—	—
UCDW3696BD					—	19.7	21.1	22.4	—	—	—

**Options Key:** D=Number of Doors DF=Number of Drawer Fronts DB=Drawer Boxes EXT=Extended Stiles EXP=Exposed End(s)  
 FL=Flush End(s) WS=Solid Wood Shelves MI=Matching Interior FT=Flush Toe

### UCDW/CSUCWCS - Utility Cabinet Deep Wall Height Top Section w/Center Stile



Custom Size Ranges  
 Width: 27"– 36"  
 Height: 84"– 120"  
 Depth: 5-1/2"– 30"

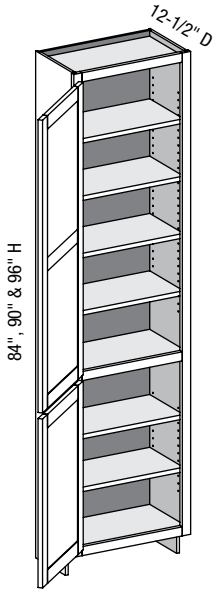
D	DF	DB	EXT	EXP	FL	WS	MI	FT
4			✓	✓	✓	✓	✓	✓

- Top section aligns with corresponding wall cabinet height as follows:  
 84" high – 30" wall cabinets – 27" opening  
 90" high – 36" wall cabinets – 33" opening  
 96" high – 42" wall cabinets – 39" opening
- 84"– 90" high has six shelves.
- 90-1/16"– 96" high has seven shelves.
- When cabinet height changes, top opening height changes accordingly. Lower opening height is fixed at 48-1/2".
- Separate 4" high toe platform available in all cabinet heights.

Cabinet Code	Advantage				Essence	Doors			Drawer Fronts		
	Price	Exposed End (ea.)	Flush End (ea.)	Shelf	Price	Inset	1/2"	1-1/4"	Inset	1/2"	1-1/4"
UCDW2784					—	11.5	13.2	14.3	—	—	—
UCDW3084					—	13.1	14.8	15.9	—	—	—
UCDW3384					—	14.7	16.4	17.6	—	—	—
UCDW3684					—	16.2	18.0	19.2	—	—	—
UCDW2790					—	12.5	14.2	15.3	—	—	—
UCDW3090					—	14.2	15.9	17.1	—	—	—
UCDW3390					—	15.8	17.7	18.9	—	—	—
UCDW3690					—	17.5	19.4	20.7	—	—	—
UCDW2796					—	13.4	15.2	16.4	—	—	—
UCDW3096					—	15.2	17.1	18.3	—	—	—
UCDW3396					—	17.0	19.0	20.2	—	—	—
UCDW3696					—	18.8	20.8	22.1	—	—	—

Options Key: D=Number of Doors DF=Number of Drawer Fronts DB=Drawer Boxes EXT=Extended Stiles EXP=Exposed End(s)  
 FL=Flush End(s) WS=Solid Wood Shelves MI=Matching Interior FT=Flush Toe

## UCR/CSUCR - Utility Cabinet Reverse



Custom Size Ranges  
 Width: 12" – 24"  
 Height: 84" – 120"  
 Depth: 5-1/2" – 30"

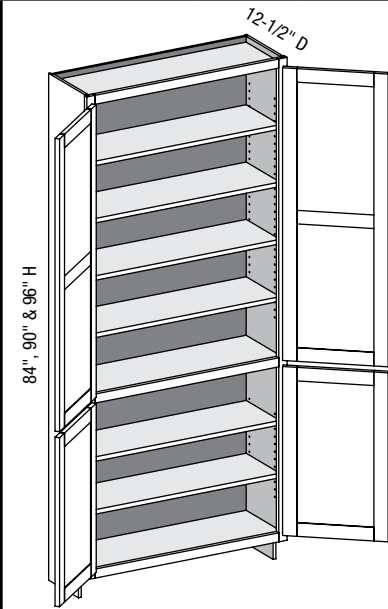
D	DF	DB	EXT	EXP	FL	WS	MI	FT
2			✓	✓	✓	✓	✓	✓

- Top section aligns with corresponding wall cabinet height as follows:  
 84" high – 30" wall cabinets – 27" opening  
 90" high – 36" wall cabinets – 33" opening  
 96" high – 42" wall cabinets – 39" opening
- 84" – 90" high has six shelves.
- 90-1/16" – 96" high has seven shelves.
- When cabinet height changes, top opening height changes accordingly. Lower opening height is fixed at 27-1/2".
- Separate 4" high toe platform available in all cabinet heights.

Cabinet Code	Advantage				Essence	Doors			Drawer Fronts		
	Price	Exposed End (ea.)	Flush End (ea.)	Shelf	Price	Inset	1/2"	1-1/4"	Inset	1/2"	1-1/4"
UCR1584					—	6.2	7.0	8.0	—	—	—
UCR1884					—	7.7	8.6	9.6	—	—	—
UCR2184					—	9.3	10.2	11.3	—	—	—
UCR2484					—	10.9	11.8	12.9	—	—	—
UCR1590					—	6.7	7.5	8.6	—	—	—
UCR1890					—	8.3	9.3	10.3	—	—	—
UCR2190					—	10.0	11.0	12.1	—	—	—
UCR2490					—	11.7	12.8	13.9	—	—	—
UCR1596					—	7.1	8.1	9.2	—	—	—
UCR1896					—	9.0	9.9	11.1	—	—	—
UCR2196					—	10.8	11.8	13.0	—	—	—
UCR2496					—	12.6	13.7	14.9	—	—	—

**Options Key:** D=Number of Doors DF=Number of Drawer Fronts DB=Drawer Boxes EXT=Extended Stiles EXP=Exposed End(s)  
 FL=Flush End(s) WS=Solid Wood Shelves MI=Matching Interior FT=Flush Toe

## UCR/CSUCR - Utility Cabinet Reverse w/Butt Doors



Custom Size Ranges  
 Width: 27"– 36"  
 Height: 84"– 120"  
 Depth: 5-1/2"– 30"

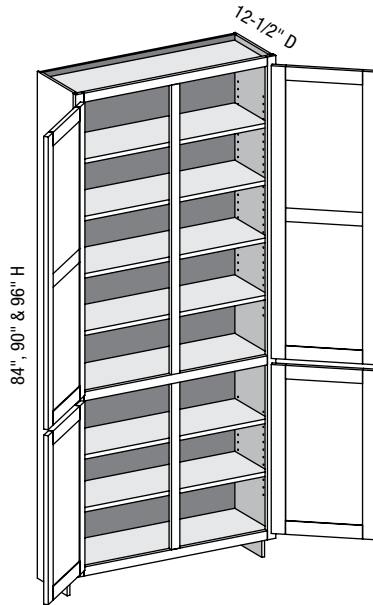
D	DF	DB	EXT	EXP	FL	WS	MI	FT
4			✓	✓	✓	✓	✓	✓

- 84"– 90" high has six shelves.
- 90-1/16"– 96" high has seven shelves.
- When cabinet height changes, top opening height changes accordingly. Lower opening height is fixed at 27-1/2".
- Separate 4" high toe platform available in all cabinet heights.
- Specify single or butt doors on cabinets 24" wide.

Cabinet Code	Advantage				Essence	Doors			Drawer Fronts		
	Price	Exposed End (ea.)	Flush End (ea.)	Shelf	Price	Inset	1/2"	1-1/4"	Inset	1/2"	1-1/4"
UCR2484BD					—	10.8	11.8	12.8	—	—	—
UCR2784BD					—	12.3	13.4	14.5	—	—	—
UCR3084BD					—	13.9	15.0	16.1	—	—	—
UCR3384BD					—	15.5	16.6	17.8	—	—	—
UCR3684BD					—	17.0	18.2	19.4	—	—	—
UCR2490BD					—	11.6	12.7	13.8	—	—	—
UCR2790BD					—	13.3	14.4	15.6	—	—	—
UCR3090BD					—	15.0	16.2	17.4	—	—	—
UCR3390BD					—	16.7	17.9	19.1	—	—	—
UCR3690BD					—	18.4	19.6	20.9	—	—	—
UCR2496BD					—	12.5	13.6	14.8	—	—	—
UCR2796BD					—	14.3	15.5	16.7	—	—	—
UCR3096BD					—	16.1	17.3	18.6	—	—	—
UCR3396BD					—	17.9	19.2	20.5	—	—	—
UCR3696BD					—	19.7	21.1	22.4	—	—	—

Options Key: D=Number of Doors DF=Number of Drawer Fronts DB=Drawer Boxes EXT=Extended Stiles EXP=Exposed End(s)  
 FL=Flush End(s) WS=Solid Wood Shelves MI=Matching Interior FT=Flush Toe

### UCR/CSUCRCS - Utility Cabinet Reverse w/Center Stile



Custom Size Ranges  
 Width: 27" – 36"  
 Height: 84" – 120"  
 Depth: 5-1/2" – 30"

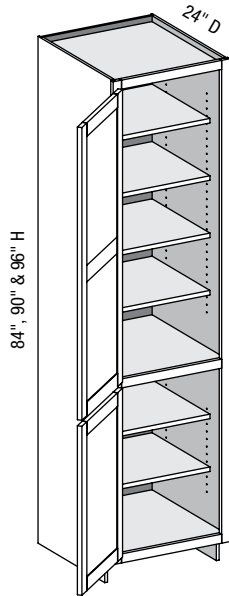
D	DF	DB	EXT	EXP	FL	WS	MI	FT
4			✓	✓	✓	✓	✓	✓

- 84" – 90" high has six shelves.
- 90-1/16" – 96" high has seven shelves.
- When cabinet height changes, top opening height changes accordingly. Lower opening height is fixed at 27-1/2".
- Separate 4" high toe platform available in all cabinet heights.

Cabinet Code	Advantage				Essence	Doors			Drawer Fronts		
	Price	Exposed End (ea.)	Flush End (ea.)	Shelf	Price	Inset	1/2"	1-1/4"	Inset	1/2"	1-1/4"
UCR2784					—	11.5	13.2	14.3	—	—	—
UCR3084					—	13.1	14.8	15.9	—	—	—
UCR3384					—	14.7	16.4	17.6	—	—	—
UCR3684					—	16.2	18.0	19.2	—	—	—
UCR2790					—	12.5	14.2	15.4	—	—	—
UCR3090					—	14.2	15.9	17.1	—	—	—
UCR3390					—	15.8	17.7	18.9	—	—	—
UCR3690					—	17.5	19.4	20.7	—	—	—
UCR2796					—	13.4	15.2	16.5	—	—	—
UCR3096					—	15.2	17.1	18.4	—	—	—
UCR3396					—	17.0	19.0	20.2	—	—	—
UCR3696					—	18.8	20.8	22.1	—	—	—

**Options Key:** D=Number of Doors DF=Number of Drawer Fronts DB=Drawer Boxes EXT=Extended Stiles EXP=Exposed End(s)  
 FL=Flush End(s) WS=Solid Wood Shelves MI=Matching Interior FT=Flush Toe

## UCDR/CSUCR - Utility Cabinet Deep Reverse



Custom Size Ranges  
 Width: 12"– 24"  
 Height: 84"– 120"  
 Depth: 5-1/2"– 30"

D	DF	DB	EXT	EXP	FL	WS	MI	FT
2			✓	✓	✓	✓	✓	✓

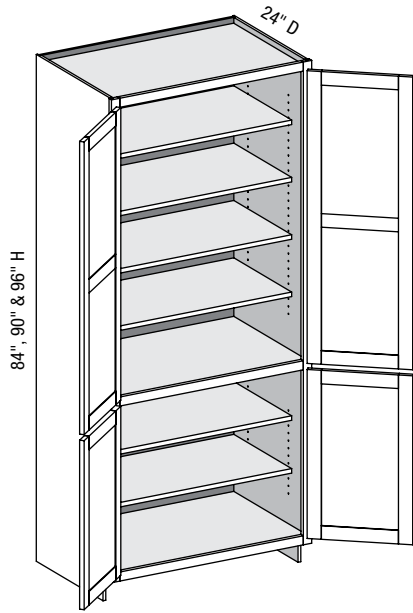
- 84"– 90" high has six shelves.
- 90-1/16"– 96" high has seven shelves.
- When height changes, upper opening height changes. Lower opening height fixed at 27-1/2".
- Separate 4" high toe platform available in all cabinet heights.
- Specify single or butt doors on cabinets 24" wide.

Cabinet Code	Advantage				Essence	Doors			Drawer Fronts		
	Price	Exposed End (ea.)	Flush End (ea.)	Shelf	Price	Inset	1/2"	1-1/4"	Inset	1/2"	1-1/4"
UCDR1584					—	6.2	7.0	8.0	—	—	—
UCDR1884					—	7.7	8.6	9.6	—	—	—
UCDR2184					—	9.3	10.2	11.3	—	—	—
UCDR2484					—	10.9	11.8	12.9	—	—	—
UCDR1590					—	6.7	7.5	8.6	—	—	—
UCDR1890					—	8.3	9.3	10.3	—	—	—
UCDR2190					—	10.0	11.0	12.1	—	—	—
UCDR2490					—	11.7	12.8	13.9	—	—	—
UCDR1596					—	7.1	8.1	9.2	—	—	—
UCDR1896					—	9.0	9.9	11.1	—	—	—
UCDR2196					—	10.8	11.8	13.0	—	—	—
UCDR2496					—	12.6	13.7	14.9	—	—	—

**Options Key:** D=Number of Doors DF=Number of Drawer Fronts DB=Drawer Boxes EXT=Extended Stiles EXP=Exposed End(s)  
 FL=Flush End(s) WS=Solid Wood Shelves MI=Matching Interior FT=Flush Toe



## UCDR/CSUCR - Utility Cabinet Deep Reverse w/Butt Doors



Custom Size Ranges  
 Width: 24" – 36"  
 Height: 84" – 120"  
 Depth: 5-1/2" – 30"

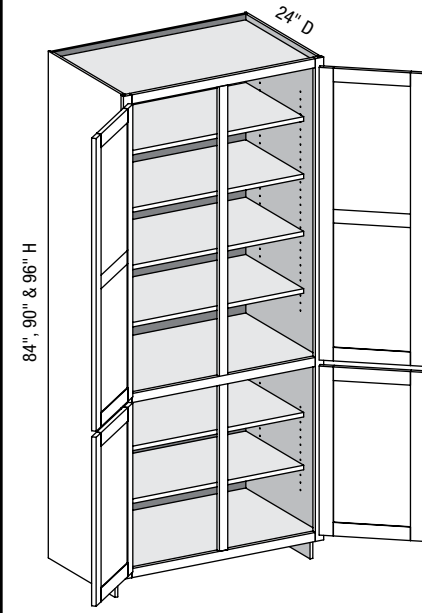
D	DF	DB	EXT	EXP	FL	WS	MI	FT
4			✓	✓	✓	✓	✓	✓

- 84" – 90" high has six shelves.
- 90-1/16" – 96" high has seven shelves.
- When cabinet height changes, top opening height changes accordingly. Lower opening height is fixed at 27-1/2".
- Separate 4" high toe platform available in all cabinet heights.
- Specify single or butt doors on cabinets 24" wide.

Cabinet Code	Advantage				Essence	Doors			Drawer Fronts		
	Price	Exposed End (ea.)	Flush End (ea.)	Shelf	Price	Inset	1/2"	1-1/4"	Inset	1/2"	1-1/4"
UCDR2484BD					—	10.8	11.8	12.8	—	—	—
UCDR2784BD					—	12.3	13.4	14.5	—	—	—
UCDR3084BD					—	13.9	15.0	16.1	—	—	—
UCDR3384BD					—	15.5	16.6	17.8	—	—	—
UCDR3684BD					—	17.0	18.2	19.4	—	—	—
UCDR2490BD					—	11.6	12.7	13.8	—	—	—
UCDR2790BD					—	13.3	14.4	15.6	—	—	—
UCDR3090BD					—	15.0	16.2	17.4	—	—	—
UCDR3390BD					—	16.7	17.9	19.1	—	—	—
UCDR3690BD					—	18.4	19.6	20.9	—	—	—
UCDR2496BD					—	12.5	13.6	14.8	—	—	—
UCDR2796BD					—	14.3	15.5	16.7	—	—	—
UCDR3096BD					—	16.1	17.3	18.6	—	—	—
UCDR3396BD					—	17.9	19.2	20.5	—	—	—
UCDR3696BD					—	19.7	21.1	22.4	—	—	—

**Options Key:** D=Number of Doors DF=Number of Drawer Fronts DB=Drawer Boxes EXT=Extended Stiles EXP=Exposed End(s)  
 FL=Flush End(s) WS=Solid Wood Shelves MI=Matching Interior FT=Flush Toe

## UCDR/CSUCRCS - Utility Cabinet Deep Reverse w/Center Stile



Custom Size Ranges  
 Width: 27"– 36"  
 Height: 84"– 120"  
 Depth: 5-1/2"– 30"

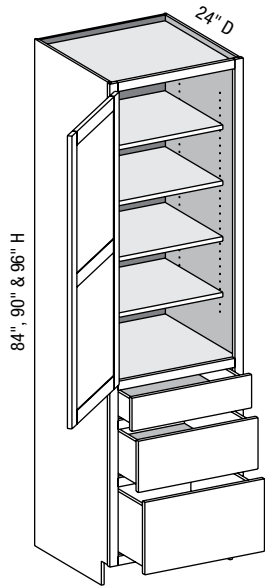
D	DF	DB	EXT	EXP	FL	WS	MI	FT
4			✓	✓	✓	✓	✓	✓

- 84"– 90" high has six shelves.
- 90-1/16"– 96" high has seven shelves.
- When height changes, upper opening height changes. Lower opening height fixed at 27-1/2".
- Separate 4" high toe platform available in all cabinet heights.

Cabinet Code	Advantage				Essence	Doors			Drawer Fronts		
	Price	Exposed End (ea.)	Flush End (ea.)	Shelf	Price	Inset	1/2"	1-1/4"	Inset	1/2"	1-1/4"
UCDR2784					—	11.5	13.2	14.3	—	—	—
UCDR3084					—	13.1	14.8	15.9	—	—	—
UCDR3384					—	14.7	16.4	17.6	—	—	—
UCDR3684					—	16.2	18.0	19.2	—	—	—
UCDR2790					—	12.5	14.2	15.4	—	—	—
UCDR3090					—	14.2	15.9	17.1	—	—	—
UCDR3390					—	15.8	17.7	18.9	—	—	—
UCDR3690					—	17.5	19.4	20.7	—	—	—
UCDR2796					—	13.4	15.2	16.5	—	—	—
UCDR3096					—	15.2	17.1	18.4	—	—	—
UCDR3396					—	17.0	19.0	20.2	—	—	—
UCDR3696					—	18.8	20.8	22.1	—	—	—

Options Key: D=Number of Doors DF=Number of Drawer Fronts DB=Drawer Boxes EXT=Extended Stiles EXP=Exposed End(s)  
 FL=Flush End(s) WS=Solid Wood Shelves MI=Matching Interior FT=Flush Toe

### U3D/CSU3D - Utility Three Drawer



Custom Size Ranges  
 Width: 12"– 24"  
 Height: 84"– 120"  
 Depth: 12", 15", 18",  
 21", 24", 27", 30"

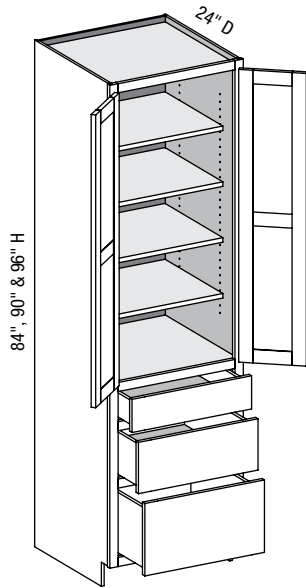
D	DF	DB	EXT	EXP	FL	WS	MI	FT
1	3	3	✓	✓	✓	✓	✓	✓

- 84"– 90" high has four shelves.
- 90-1/16"– 96" high has five shelves.
- Lower drawer section aligns with 34-1/2" high base cabinets.
- Specify single or butt doors on cabinets 24" wide.
- Separate 4" high toe platform available in all cabinet heights.
- 12", 15", 27" and 30" cabinet depths are available with TANDEM slides only.

Cabinet Code	Advantage				Essence	Doors			Drawer Fronts		
	Price	Exposed End (ea.)	Flush End (ea.)	Shelf	Price	Inset	1/2"	1-1/4"	Inset	1/2"	1-1/4"
U3D1884						4.9	5.4	6.0	2.5	3.1	3.5
U3D2184						5.9	6.5	7.0	3.0	3.6	4.1
U3D2484						6.9	7.5	8.0	3.5	4.2	4.7
U3D1890						5.5	6.1	6.7	2.5	3.1	3.5
U3D2190						6.7	7.3	7.8	3.0	3.6	4.1
U3D2490						7.8	8.4	9.0	3.5	4.2	4.7
U3D1896						6.2	6.8	7.4	2.5	3.1	3.5
U3D2196						7.4	8.0	8.7	3.0	3.6	4.1
U3D2496						8.6	9.3	10.0	3.5	4.2	4.7

**Options Key:** D=Number of Doors DF=Number of Drawer Fronts DB=Drawer Boxes EXT=Extended Stiles EXP=Exposed End(s)  
 FL=Flush End(s) WS=Solid Wood Shelves MI=Matching Interior FT=Flush Toe

### U3D/CSU3D - Utility Three Drawer w/Butt Doors



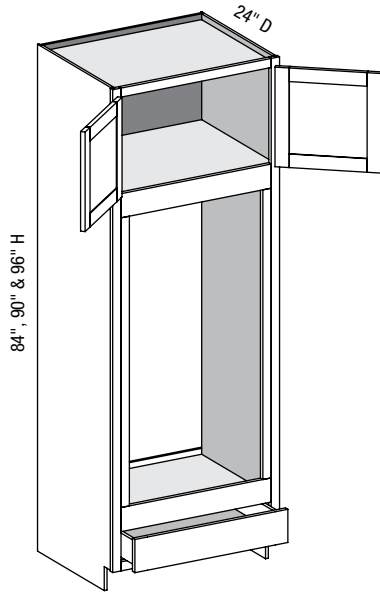
Custom Size Ranges  
 Width: 24" – 36"  
 Height: 84" – 120"  
 Depth: 12", 15", 18",  
 21", 24", 27", 30"

D	DF	DB	EXT	EXP	FL	WS	MI	FT
2	3	3	✓	✓	✓	✓	✓	✓

- 84"– 90" high has four shelves.
- 90-1/16"– 96" high has five shelves.
- 96" units have a separate 4" toe platform and five shelves.
- Lower drawer section aligns with 34-1/2" high base cabinets.
- Specify single or butt doors on cabinets 24" wide.
- Separate 4" high toe platform available in all cabinet heights.
- 12", 15", 27" and 30" cabinet depths are available with TANDEM slides only.

Cabinet Code	Advantage				Essence	Doors			Drawer Fronts		
	Price	Exposed End (ea.)	Flush End (ea.)	Shelf	Price	Inset	1/2"	1-1/4"	Inset	1/2"	1-1/4"
U3D2484BD						6.8	7.4	8.0	3.5	4.2	4.7
U3D2490BD						7.7	8.4	8.9	3.5	4.2	4.7
U3D2496BD						8.6	9.3	9.9	3.5	4.2	4.7

## ODA/CSODA - Oven Double Opening Type A w/Butt Doors



Custom Size Ranges  
 Width: 27"– 36"  
 Height: 84"– 120"  
 Depth: 24", 27", 30"

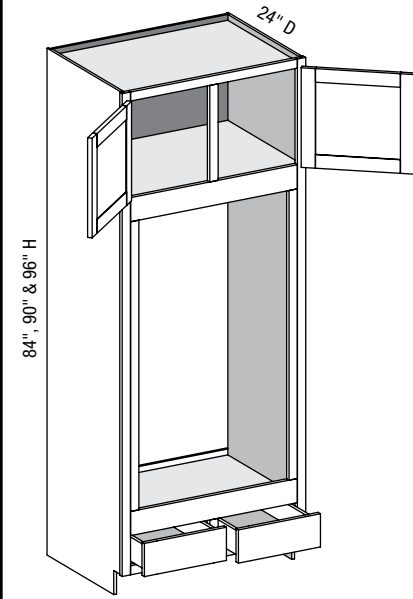
D	DF	DB	EXT	EXP	FL	WS	MI	FT
2	1	1	✓	✓	✓	✓	✓	✓

- 84"– 89-15/16" high has no shelves.
- 90"– 95-15/16" high has one shelf.
- 96" high has two shelves.
- When height changes, upper opening height changes. Lower and middle opening heights fixed.
- Oven opening is 48" high, width is 6" less than cabinet width.
- Oven opening is trimmable to 5" in height and 3" in width.
- Oven opening is 14-1/2" above the floor, trimmable to 12".
- Separate 4" high toe platform available in all cabinet heights.
- 27" and 30" cabinet depths are available with TANDEM slides only.

Cabinet Code	Advantage				Essence	Doors			Drawer Fronts		
	Price	Exposed End (ea.)	Flush End (ea.)	Shelf	Price	Inset	1/2"	1-1/4"	Inset	1/2"	1-1/4"
ODA2784BD				—		2.6	2.9	3.3	0.8	1.0	1.3
ODA3084BD				—		2.9	3.3	3.7	0.9	1.2	1.5
ODA3384BD				—		3.3	3.6	4.1	1.0	1.3	1.6
ODA2790BD						3.6	4.0	4.4	0.8	1.0	1.3
ODA3090BD						4.0	4.5	4.9	0.9	1.2	1.5
ODA3390BD						4.5	4.9	5.5	1.0	1.3	1.6
ODA2796BD						4.6	5.0	5.5	0.8	1.0	1.3
ODA3096BD						5.1	5.6	6.2	0.9	1.2	1.5
ODA3396BD						5.7	6.2	6.8	1.0	1.3	1.6

**Options Key:** D=Number of Doors DF=Number of Drawer Fronts DB=Drawer Boxes EXT=Extended Stiles EXP=Exposed End(s)  
 FL=Flush End(s) WS=Solid Wood Shelves MI=Matching Interior FT=Flush Toe

### ODA/CSODACS - Oven Double Opening Type A w/Center Stile



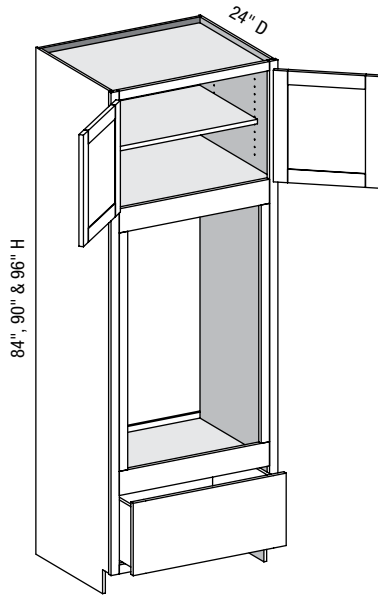
Custom Size Ranges  
 Width: 27"– 36"  
 Height: 84"– 120"  
 Depth: 24", 27", 30"

D	DF	DB	EXT	EXP	FL	WS	MI	FT
2	2	2	✓	✓	✓	✓	✓	✓

- 84"– 89-15/16" high has no shelves.
- 90"– 95-15/16" high has one shelf.
- 96" high has two shelves.
- When height changes, upper opening height changes. Lower and middle opening heights fixed.
- Oven opening is 48" high, width is 6" less than cabinet width.
- Oven opening is trimmable to 5" in height and 3" in width.
- Oven opening is 14-1/2" above the floor, trimmable to 12".
- Separate 4" high toe platform available in all cabinet heights.
- 27" and 30" cabinet depths are available with TANDEM slides only.

Cabinet Code	Advantage				Essence	Doors			Drawer Fronts		
	Price	Exposed End (ea.)	Flush End (ea.)	Shelf	Price	Inset	1/2"	1-1/4"	Inset	1/2"	1-1/4"
ODA3084				—		2.8	3.2	3.7	0.8	1.1	1.5
ODA3384				—		3.1	3.6	4.1	0.9	1.3	1.6
ODA3090						3.8	4.4	4.9	0.8	1.1	1.5
ODA3390						4.3	4.9	5.4	0.9	1.3	1.6
ODA3096						4.9	5.5	6.1	0.8	1.1	1.5
ODA3396						5.4	6.1	6.7	0.9	1.3	1.6

## ODB/CSODB - Oven Double Opening Type B w/Butt Doors



Custom Size Ranges  
 Width: 27" – 36"  
 Height: 84" – 120"  
 Depth: 24", 27", 30"

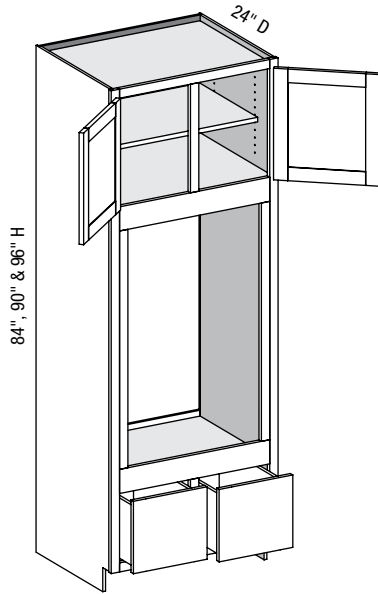
D	DF	DB	EXT	EXP	FL	WS	MI	FT
2	1	1	✓	✓	✓	✓	✓	✓

- 84" – 89-15/16" high has one shelf.
- 90" – 96" high has two shelves.
- When height changes, upper opening height changes. Lower and middle opening heights fixed.
- Oven opening is 39-1/2" high, width is 6" less than cabinet width.
- Oven opening is trimmable to 5" in height and 3" in width.
- Oven opening is 21" above the floor, trimmable to 18-1/2".
- Separate 4" high toe platform available in all cabinet heights.
- 27" and 30" cabinet depths are available with TANDEM slides only.

Cabinet Code	Advantage				Essence	Doors			Drawer Fronts		
	Price	Exposed End (ea.)	Flush End (ea.)	Shelf	Price	Inset	1/2"	1-1/4"	Inset	1/2"	1-1/4"
ODB3084BD						3.3	3.7	4.1	2.1	2.4	2.8
ODB3384BD						3.7	4.1	4.6	2.3	2.7	3.1
ODB3090BD						4.4	4.8	5.4	2.1	2.4	2.8
ODB3390BD						4.9	5.4	5.9	2.3	2.7	3.1
ODB3096BD						5.5	6.0	6.6	2.1	2.4	2.8
ODB3396BD						6.1	6.6	7.3	2.3	2.7	3.1

**Options Key:** D=Number of Doors DF=Number of Drawer Fronts DB=Drawer Boxes EXT=Extended Stiles EXP=Exposed End(s)  
 FL=Flush End(s) WS=Solid Wood Shelves MI=Matching Interior FT=Flush Toe

### ODB/CSODBCS - Oven Double Opening Type B w/Center Stile



Custom Size Ranges  
 Width: 30"– 36"  
 Height: 84"– 120"  
 Depth: 24", 27", 30"

D	DF	DB	EXT	EXP	FL	WS	MI	FT
2	2	2	✓	✓	✓	✓	✓	✓

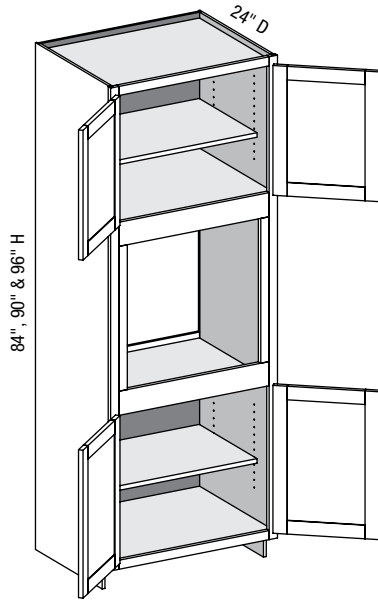
- 84"– 89-15/16" high has one shelf.
- 90"– 96" high has two shelves.
- When height changes, upper opening height changes. Lower and middle opening heights fixed.
- Oven opening is 39-1/2" high, width is 6" less than cabinet width.
- Oven opening is trimmable to 5" in height and 3" in width.
- Oven opening is 21" above the floor, trimmable to 18-1/2".
- Separate 4" high toe platform available in all cabinet heights.
- 27" and 30" cabinet depths are available with TANDEM slides only.

Cabinet Code	Advantage				Essence	Doors			Drawer Fronts		
	Price	Exposed End (ea.)	Flush End (ea.)	Shelf	Price	Inset	1/2"	1-1/4"	Inset	1/2"	1-1/4"
ODB3084						3.1	3.6	4.1	2.0	2.4	2.8
ODB3384						3.5	4.0	4.5	2.2	2.6	3.1
ODB3090						4.2	4.8	5.3	2.0	2.4	2.8
ODB3390						4.7	5.3	5.8	2.2	2.6	3.1
ODB3096						5.2	5.9	6.5	2.0	2.4	2.8
ODB3396						5.8	6.6	7.2	2.2	2.6	3.1

**Options Key:** D=Number of Doors DF=Number of Drawer Fronts DB=Drawer Boxes EXT=Extended Stiles EXP=Exposed End(s)  
 FL=Flush End(s) WS=Solid Wood Shelves MI=Matching Interior FT=Flush Toe



## OS/CSOS - Oven Single Opening w/Butt Doors



Custom Size Ranges  
 Width: 27" – 36"  
 Height: 84" – 120"  
 Depth: 24" – 30"

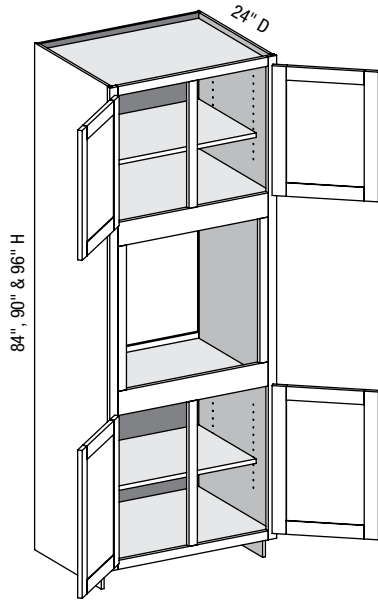
D	DF	DB	EXT	EXP	FL	WS	MI	FT
4			✓	✓	✓	✓	✓	✓

- 84" – 89-15/16" high has two shelves.
- 90" – 96" high has three shelves.
- When height changes, upper opening height changes. Lower and middle opening heights fixed.
- Oven opening is 24" high, width is 6" less than cabinet width.
- Oven opening is trimmable to 5" in height and 3" in width.
- Oven opening is 33-1/2" above the floor, trimmable to 31".
- Lower opening height fixed at 24".
- Separate 4" high toe platform available in all cabinet heights.

Cabinet Code	Advantage				Essence	Doors			Drawer Fronts		
	Price	Exposed End (ea.)	Flush End (ea.)	Shelf	Price	Inset	1/2"	1-1/4"	Inset	1/2"	1-1/4"
OS2784BD						7.3	8.1	9.1	—	—	—
OS3084BD						8.3	9.1	10.1	—	—	—
OS3384BD						9.2	10.1	11.2	—	—	—
OS2790BD						8.3	9.2	10.2	—	—	—
OS3090BD						9.4	10.3	11.4	—	—	—
OS3390BD						10.4	11.4	12.5	—	—	—
OS2796BD						9.3	10.2	11.3	—	—	—
OS3096BD						10.5	11.4	12.6	—	—	—
OS3396BD						11.6	12.7	13.9	—	—	—

**Options Key:** D=Number of Doors DF=Number of Drawer Fronts DB=Drawer Boxes EXT=Extended Stiles EXP=Exposed End(s)  
 FL=Flush End(s) WS=Solid Wood Shelves MI=Matching Interior FT=Flush Toe

## OS/CSOSCS - Oven Single Opening w/Center Stile



Custom Size Ranges  
 Width: 27"– 36"  
 Height: 84"– 120"  
 Depth: 24"– 30"

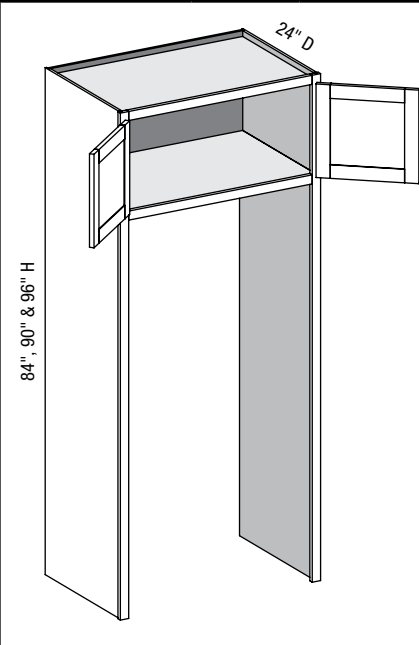
D	DF	DB	EXT	EXP	FL	WS	MI	FT
4			✓	✓	✓	✓	✓	✓

- 84"– 89-15/16" high has two shelves.
- 90"– 96" high has three shelves.
- When height changes, upper opening height changes. Lower and middle opening heights fixed.
- Oven opening is 24" high, width is 6" less than cabinet width.
- Oven opening is trimmable to 5" in height and 3" in width.
- Oven opening is 33-1/2" above the floor, trimmable to 31".
- Separate 4" high toe platform available in all cabinet heights.

Cabinet Code	Advantage				Essence	Doors			Drawer Fronts		
	Price	Exposed End (ea.)	Flush End (ea.)	Shelf	Price	Inset	1/2"	1-1/4"	Inset	1/2"	1-1/4"
OS2784						6.9	8.0	9.0	—	—	—
OS3084						7.8	9.0	10.0	—	—	—
OS3384						8.7	10.0	11.1	—	—	—
OS2790						7.8	9.0	10.1	—	—	—
OS3090						8.8	10.1	11.2	—	—	—
OS3390						9.9	11.2	12.4	—	—	—
OS2796						8.7	10.0	11.1	—	—	—
OS3096						9.9	11.3	12.4	—	—	—
OS3396						11.1	12.5	13.7	—	—	—

**Options Key:** D=Number of Doors DF=Number of Drawer Fronts DB=Drawer Boxes EXT=Extended Stiles EXP=Exposed End(s)  
 FL=Flush End(s) WS=Solid Wood Shelves MI=Matching Interior FT=Flush Toe

## RTB/CSRTB - Refrigerator Tall Both Sides w/Butt Doors



Custom Size Ranges  
 Width: 30" – 36"  
 Height: 84" – 120"  
 Depth: 24" – 30"

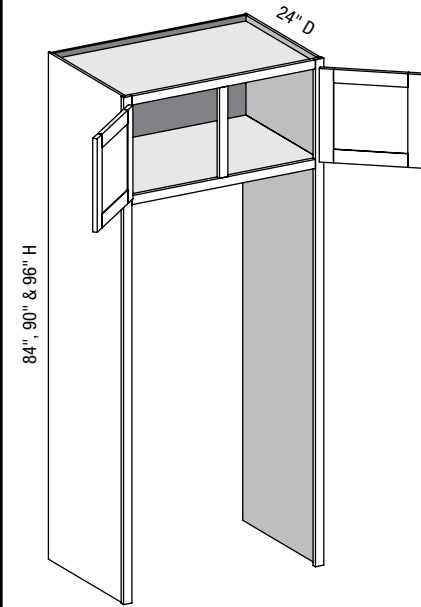
D	DF	DB	EXT	EXP	FL	WS	MI	FT
2			✓	✓	✓	✓	✓	

- Middle numbers in the cabinet code refer to the height of the wall cabinet (example: RTB331284 has a 12" high upper cabinet).
- 21" high and 24" high upper cabinets have one shelf.
- 27" high upper cabinet has two shelves.
- When ordering custom size refrigerator cabinets specify top cabinet opening height and lower appliance opening.
- Single wide door option is available for lift up access applications.
- Blum AVENTOS HK lift systems available separately. See section 10.

Cabinet Code	Advantage				Essence	Doors			Drawer Fronts		
	Price	Exposed End (ea.)	Flush End (ea.)	Shelf	Price	Inset	1/2"	1-1/4"	Inset	1/2"	1-1/4"
RTB331284BD				—	—	2.0	2.1	2.6	—	—	—
RTB331584BD				—	—	2.4	2.8	3.3	—	—	—
RTB331884BD				—	—	3.0	3.4	3.9	—	—	—
RTB361284BD				—	—	2.0	2.4	2.8	—	—	—
RTB361584BD				—	—	2.7	3.1	3.6	—	—	—
RTB361884BD				—	—	3.4	3.8	4.3	—	—	—
RTB331890BD				—	—	3.0	3.4	3.9	—	—	—
RTB332190BD					—	3.7	4.1	4.6	—	—	—
RTB332490BD					—	4.3	4.7	5.3	—	—	—
RTB361890BD				—	—	3.4	3.8	4.3	—	—	—
RTB362190BD					—	4.0	4.5	5.0	—	—	—
RTB362490BD					—	4.7	5.2	5.8	—	—	—
RTB332496BD					—	4.3	4.7	5.3	—	—	—
RTB332796BD					—	4.9	5.4	6.0	—	—	—
RTB362496BD					—	4.7	5.2	5.8	—	—	—
RTB362796BD					—	5.4	5.9	6.5	—	—	—

**Options Key:** D=Number of Doors DF=Number of Drawer Fronts DB=Drawer Boxes EXT=Extended Stiles EXP=Exposed End(s)  
 FL=Flush End(s) WS=Solid Wood Shelves MI=Matching Interior FT=Flush Toe

### RTB/CSRTBCS - Refrigerator Tall Both Sides w/Center Stile



Custom Size Ranges  
 Width: 30"– 48"  
 Height: 84"– 120"  
 Depth: 24"– 30"

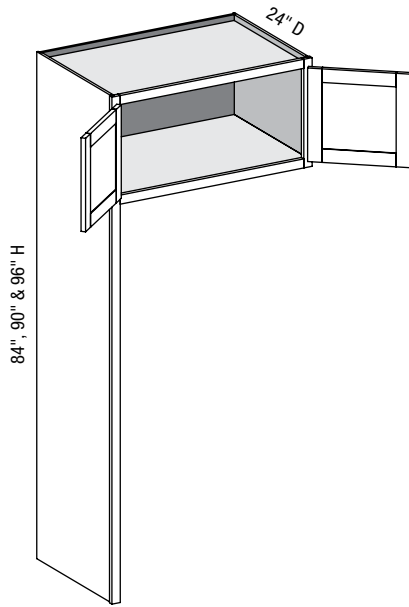
D	DF	DB	EXT	EXP	FL	WS	MI	FT
2			✓	✓	✓	✓	✓	

- Middle numbers in the cabinet code refer to the height of the wall cabinet (example: RTB331284 has a 12" high upper cabinet).
- 21" high and 24" high upper cabinets have one shelf.
- 27" high upper cabinet has two shelves.
- When ordering custom size refrigerator cabinets specify top cabinet opening height and lower appliance opening.

Cabinet Code	Advantage				Essence	Doors			Drawer Fronts		
	Price	Exposed End (ea.)	Flush End (ea.)	Shelf	Price	Inset	1/2"	1-1/4"	Inset	1/2"	1-1/4"
RTB331284				—	—	2.0	2.1	2.6	—	—	—
RTB331584				—	—	2.3	2.8	3.2	—	—	—
RTB331884				—	—	2.9	3.4	3.9	—	—	—
RTB361284				—	—	2.0	2.3	2.8	—	—	—
RTB361584				—	—	2.6	3.0	3.5	—	—	—
RTB361884				—	—	3.2	3.7	4.3	—	—	—
RTB391284				—	—	2.1	2.5	3.0	—	—	—
RTB391584				—	—	2.8	3.3	3.8	—	—	—
RTB391884				—	—	3.5	4.1	4.6	—	—	—
RTB331890				—	—	2.9	3.4	3.9	—	—	—
RTB332190				—	—	3.5	4.0	4.6	—	—	—
RTB332490				—	—	4.1	4.7	5.2	—	—	—
RTB361890				—	—	3.2	3.7	4.3	—	—	—
RTB362190				—	—	3.9	4.4	5.0	—	—	—
RTB362490				—	—	4.5	5.1	5.7	—	—	—
RTB391890				—	—	3.5	4.1	4.6	—	—	—
RTB392190				—	—	4.2	4.8	5.4	—	—	—
RTB392490				—	—	4.9	5.6	6.2	—	—	—
RTB332496				—	—	4.1	4.7	5.2	—	—	—
RTB332796				—	—	4.7	5.3	5.9	—	—	—
RTB362496				—	—	4.5	5.1	5.7	—	—	—
RTB362796				—	—	5.1	5.8	6.4	—	—	—
RTB392496				—	—	4.9	5.6	6.2	—	—	—
RTB392796				—	—	5.6	6.3	7.0	—	—	—

Options Key: D=Number of Doors DF=Number of Drawer Fronts DB=Drawer Boxes EXT=Extended Stiles EXP=Exposed End(s)  
 FL=Flush End(s) WS=Solid Wood Shelves MI=Matching Interior FT=Flush Toe

## RTL/CSRTL - Refrigerator Tall Left w/Butt Doors



Custom Size Ranges  
 Width: 30" – 36"  
 Height: 84" – 120"  
 Depth: 24" – 30"

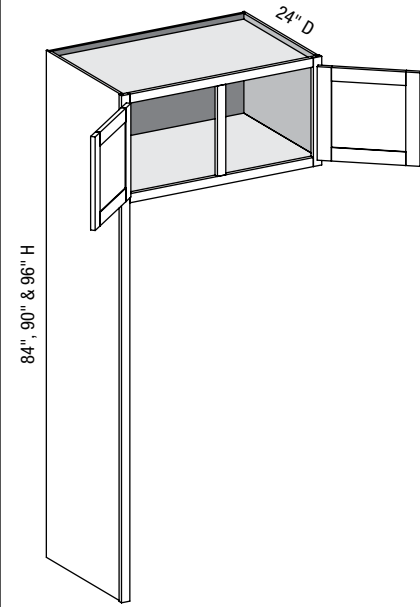
D	DF	DB	EXT	EXP	FL	WS	MI	FT
2			✓	✓	✓	✓	✓	

- Middle numbers in the cabinet code refer to the height of the wall cabinet (example: RTB331284 has a 12" high upper cabinet).
- 21" high and 24" high upper cabinets have one shelf.
- 27" high upper cabinet has two shelves.
- When ordering custom size refrigerator cabinets specify top cabinet opening height and lower appliance opening.
- Single wide door option is available for lift up access applications.
- Blum AVENTOS HK lift systems available separately. See section 10.

Cabinet Code	Advantage				Essence	Doors			Drawer Fronts		
	Price	Exposed End (ea.)	Flush End (ea.)	Shelf	Price	Inset	1/2"	1-1/4"	Inset	1/2"	1-1/4"
RTL331284BD				—		2.0	2.1	2.6	—	—	—
RTL331584BD				—		2.4	2.8	3.3	—	—	—
RTL331884BD				—		3.0	3.4	3.9	—	—	—
RTL361284BD				—		2.0	2.4	2.8	—	—	—
RTL361584BD				—		2.7	3.1	3.6	—	—	—
RTL361884BD				—		3.4	3.8	4.3	—	—	—
RTL331890BD				—		3.0	3.4	3.9	—	—	—
RTL332190BD						3.7	4.1	4.6	—	—	—
RTL332490BD						4.3	4.7	5.3	—	—	—
RTL361890BD				—		3.4	3.8	4.3	—	—	—
RTL362190BD						4.0	4.5	5.0	—	—	—
RTL362490BD						4.7	5.2	5.8	—	—	—
RTL332496BD						4.3	4.7	5.3	—	—	—
RTL332796BD						4.9	5.4	6.0	—	—	—
RTL362496BD						4.7	5.2	5.8	—	—	—
RTL362796BD						5.4	5.9	6.5	—	—	—

**Options Key:** D=Number of Doors DF=Number of Drawer Fronts DB=Drawer Boxes EXT=Extended Stiles EXP=Exposed End(s)  
 FL=Flush End(s) WS=Solid Wood Shelves MI=Matching Interior FT=Flush Toe

### RTL/CSRTLCS - Refrigerator Tall Left w/Center Stile



Custom Size Ranges  
 Width: 30"– 48"  
 Height: 84"– 120"  
 Depth: 24"– 30"

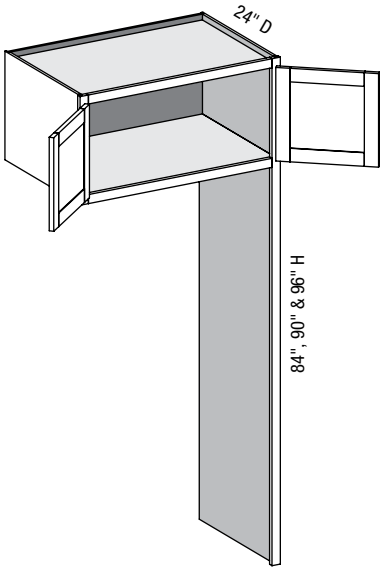
D	DF	DB	EXT	EXP	FL	WS	MI	FT
2			✓	✓	✓	✓	✓	

- Middle numbers in the cabinet code refer to the height of the wall cabinet (example: RTB331284 has a 12" high upper cabinet).
- 21" high and 24" high upper cabinets have one shelf.
- 27" high upper cabinet has two shelves.
- When ordering custom size refrigerator cabinets specify top cabinet opening height and lower appliance opening.

Cabinet Code	Advantage				Essence	Doors			Drawer Fronts		
	Price	Exposed End (ea.)	Flush End (ea.)	Shelf	Price	Inset	1/2"	1-1/4"	Inset	1/2"	1-1/4"
RTL331284				—		2.0	2.1	2.6	—	—	—
RTL331584				—		2.3	2.8	3.2	—	—	—
RTL331884				—		2.9	3.4	3.9	—	—	—
RTL361284				—		2.0	2.3	2.8	—	—	—
RTL361584				—		2.6	3.0	3.5	—	—	—
RTL361884				—		3.2	3.7	4.3	—	—	—
RTL391284				—		2.1	2.5	3.0	—	—	—
RTL391584				—		2.8	3.3	3.8	—	—	—
RTL391884				—		3.5	4.1	4.6	—	—	—
RTL331890				—		2.9	3.4	3.9	—	—	—
RTL332190				—		3.5	4.0	4.6	—	—	—
RTL332490				—		4.1	4.7	5.2	—	—	—
RTL361890				—		3.2	3.7	4.3	—	—	—
RTL362190				—		3.9	4.4	5.0	—	—	—
RTL362490				—		4.5	5.1	5.7	—	—	—
RTL391890				—		3.5	4.1	4.6	—	—	—
RTL392190				—		4.2	4.8	5.4	—	—	—
RTL392490				—		4.9	5.6	6.2	—	—	—
RTL332496				—		4.1	4.7	5.2	—	—	—
RTL332796				—		4.7	5.3	5.9	—	—	—
RTL362496				—		4.5	5.1	5.7	—	—	—
RTL362796				—		5.1	5.8	6.4	—	—	—
RTL392496				—		4.9	5.6	6.2	—	—	—
RTL392796				—		5.6	6.3	7.0	—	—	—

Options Key: D=Number of Doors DF=Number of Drawer Fronts DB=Drawer Boxes EXT=Extended Stiles EXP=Exposed End(s)  
 FL=Flush End(s) WS=Solid Wood Shelves MI=Matching Interior FT=Flush Toe

## RTR/CSRTR - Refrigerator Tall Right w/Butt Doors



Custom Size Ranges  
 Width: 30" – 36"  
 Height: 84" – 120"  
 Depth: 24" – 30"

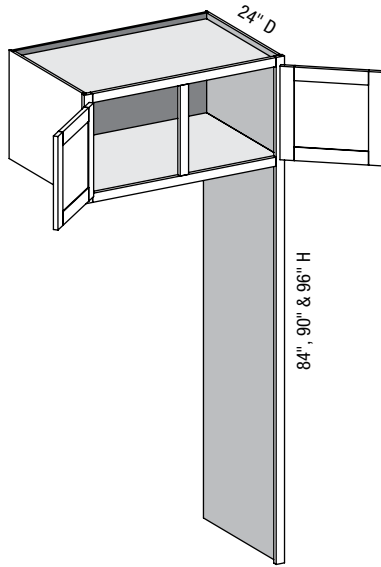
D	DF	DB	EXT	EXP	FL	WS	MI	FT
2			✓	✓	✓	✓	✓	

- Middle numbers in the cabinet code refer to the height of the wall cabinet (example: RTB331284 has a 12" high upper cabinet).
- 21" high and 24" high upper cabinets have one shelf.
- 27" high upper cabinet has two shelves.
- When ordering custom size refrigerator cabinets specify top cabinet opening height and lower appliance opening.
- Single wide door option is available for lift up access applications.
- Blum AVENTOS HK lift systems available separately. See section 10.

Cabinet Code	Advantage				Essence	Doors			Drawer Fronts		
	Price	Exposed End (ea.)	Flush End (ea.)	Shelf	Price	Inset	1/2"	1-1/4"	Inset	1/2"	1-1/4"
RTR331284BD				—		2.0	2.1	2.6	—	—	—
RTR331584BD				—		2.4	2.8	3.3	—	—	—
RTR331884BD				—		3.0	3.4	3.9	—	—	—
RTR361284BD				—		2.0	2.4	2.8	—	—	—
RTR361584BD				—		2.7	3.1	3.6	—	—	—
RTR361884BD				—		3.4	3.8	4.3	—	—	—
RTR331890BD				—		3.0	3.4	3.9	—	—	—
RTR332190BD						3.7	4.1	4.6	—	—	—
RTR332490BD						4.3	4.7	5.3	—	—	—
RTR361890BD				—		3.4	3.8	4.3	—	—	—
RTR362190BD						4.0	4.5	5.0	—	—	—
RTR362490BD						4.7	5.2	5.8	—	—	—
RTR332496BD						4.3	4.7	5.3	—	—	—
RTR332796BD						4.9	5.4	6.0	—	—	—
RTR362496BD						4.7	5.2	5.8	—	—	—
RTR362796BD						5.4	5.9	6.5	—	—	—

**Options Key:** D=Number of Doors DF=Number of Drawer Fronts DB=Drawer Boxes EXT=Extended Stiles EXP=Exposed End(s)  
 FL=Flush End(s) WS=Solid Wood Shelves MI=Matching Interior FT=Flush Toe

### RTR/CSRTRCS - Refrigerator Tall Right w/Center Stile



Custom Size Ranges  
 Width: 30"– 48"  
 Height: 84"– 120"  
 Depth: 24"– 30"

D	DF	DB	EXT	EXP	FL	WS	MI	FT
2			✓	✓	✓	✓	✓	

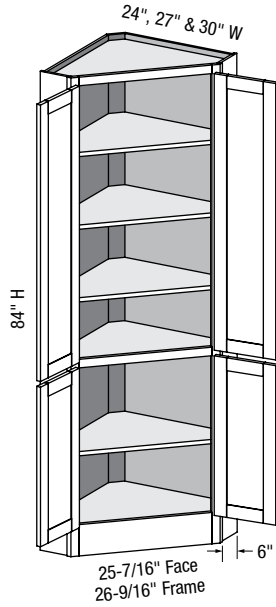
- Middle numbers in the cabinet code refer to the height of the wall cabinet (example: RTB331284 has a 12" high upper cabinet).
- 21" high and 24" high upper cabinets have one shelf.
- 27" high upper cabinet has two shelves.
- When ordering custom size refrigerator cabinets specify top cabinet opening height and lower appliance opening.

Cabinet Code	Advantage				Essence	Doors			Drawer Fronts		
	Price	Exposed End (ea.)	Flush End (ea.)	Shelf	Price	Inset	1/2"	1-1/4"	Inset	1/2"	1-1/4"
RTR331284				—		2.0	2.1	2.6	—	—	—
RTR331584				—		2.3	2.8	3.2	—	—	—
RTR331884				—		2.9	3.4	3.9	—	—	—
RTR361284				—		2.0	2.3	2.8	—	—	—
RTR361584				—		2.6	3.0	3.5	—	—	—
RTR361884				—		3.2	3.7	4.3	—	—	—
RTR391284				—		2.1	2.5	3.0	—	—	—
RTR391584				—		2.8	3.3	3.8	—	—	—
RTR391884				—		3.5	4.1	4.6	—	—	—
RTR331890				—		2.9	3.4	3.9	—	—	—
RTR332190				—		3.5	4.0	4.6	—	—	—
RTR332490				—		4.1	4.7	5.2	—	—	—
RTR361890				—		3.2	3.7	4.3	—	—	—
RTR362190				—		3.9	4.4	5.0	—	—	—
RTR362490				—		4.5	5.1	5.7	—	—	—
RTR391890				—		3.5	4.1	4.6	—	—	—
RTR392190				—		4.2	4.8	5.4	—	—	—
RTR392490				—		4.9	5.6	6.2	—	—	—
RTR332496				—		4.1	4.7	5.2	—	—	—
RTR332796				—		4.7	5.3	5.9	—	—	—
RTR362496				—		4.5	5.1	5.7	—	—	—
RTR362796				—		5.1	5.8	6.4	—	—	—
RTR392496				—		4.9	5.6	6.2	—	—	—
RTR392796				—		5.6	6.3	7.0	—	—	—

Options Key: D=Number of Doors DF=Number of Drawer Fronts DB=Drawer Boxes EXT=Extended Stiles EXP=Exposed End(s)  
 FL=Flush End(s) WS=Solid Wood Shelves MI=Matching Interior FT=Flush Toe



**TCH/CSTCH - Tall Corner Hutch w/Butt Doors**



Custom Size Ranges  
Width: 24", 27", 30"  
Height: 84"–96"  
Depth: 24", 27", 30"

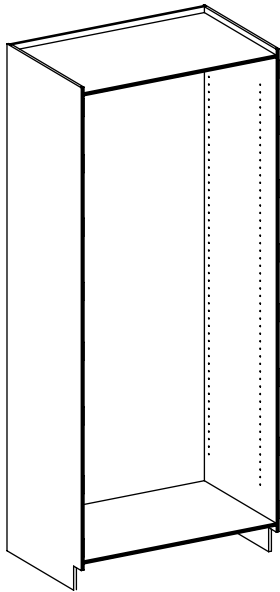
D	DF	DB	EXT	EXP	FL	WS	MI	FT
4				✓	✓		✓	STD

• Lower section aligns with 34-1/2" high base cabinets.

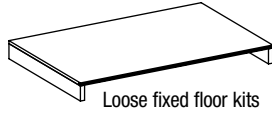
Cabinet Code	Advantage				Essence	Doors			Drawer Fronts		
	Price	Exposed End (ea.)	Flush End (ea.)	Shelf	Price	Inset	1/2"	1-1/4"	Inset	1/2"	1-1/4"
TCH2484BD				—	—	11.3	12.3	12.9	—	—	—
TCH2784BD				—	—	13.5	14.6	15.2	—	—	—
TCH3084BD				—	—	15.7	16.9	17.5	—	—	—

**Options Key:** D=Number of Doors DF=Number of Drawer Fronts DB=Drawer Boxes EXT=Extended Stiles EXP=Exposed End(s)  
FL=Flush End(s) WS=Solid Wood Shelves MI=Matching Interior FT=Flush Toe

### CSCO - Case Only



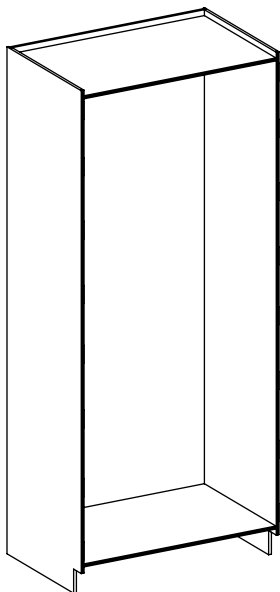
Custom Size Ranges  
 Width: 12"– 48"  
 Height: 10"– 120"  
 Depth: 5-1/2"– 30"



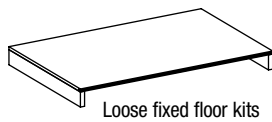
D	DF	DB	EXT	EXP	FL	WS	MI	FT
				✓	✓		✓	✓

- Advantage line only.
- Use Conestoga's online ordering system or Conestoga order entry for pricing.
- Customizable cabinet case for custom base and tall applications.
- No front frame included – case only. Order custom size front frame, shelves, doors, drawer fronts and drawer boxes separately.
- Sides are machined with shelf holes.
- Loose fixed floor kits are sized to fit between sides. Plywood cleats included to mount floors as needed behind front frame openings. Floors include pre-inserted splines. Specify quantity of fixed floor kits per cabinet.
- Matching specie interior is not available over 96" high. Natural Birch UV material will be used.

### CSCONH - Case Only No Shelf Holes



Custom Size Ranges  
 Width: 12"– 48"  
 Height: 10"– 120"  
 Depth: 5-1/2"– 30"



D	DF	DB	EXT	EXP	FL	WS	MI	FT
				✓	✓		✓	✓

- Advantage line only.
- Use Conestoga's online ordering system or Conestoga order entry for pricing.
- Customizable cabinet case for custom base and tall applications.
- No front frame included – case only. Order custom size front frame, doors, drawer fronts and drawer boxes separately.
- Sides are machined with shelf holes.
- Loose fixed floor kits are sized to fit between sides. Plywood cleats included to mount floors as needed behind front frame openings. Floors include pre-inserted splines. Specify quantity of fixed floor kits per cabinet.
- Matching specie interior is not available over 96" high. Natural Birch UV material will be used.

**Options Key:** D=Number of Doors DF=Number of Drawer Fronts DB=Drawer Boxes EXT=Extended Stiles EXP=Exposed End(s)  
 FL=Flush End(s) WS=Solid Wood Shelves MI=Matching Interior FT=Flush Toe